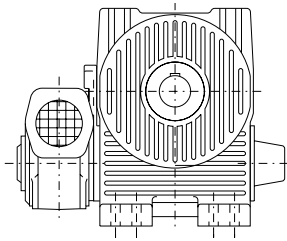
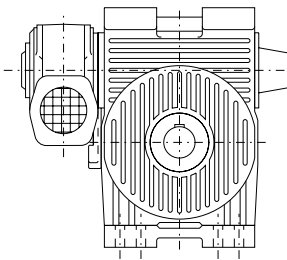


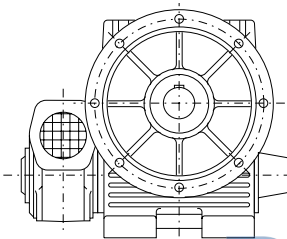
型号



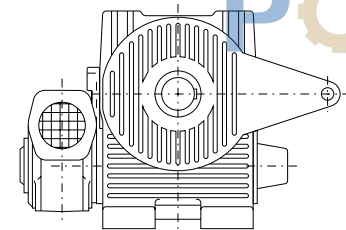
CDUW63 ... 630



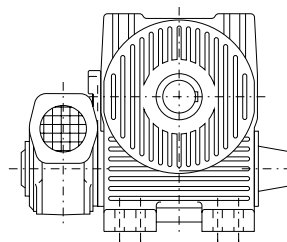
CDOW63 ... 630



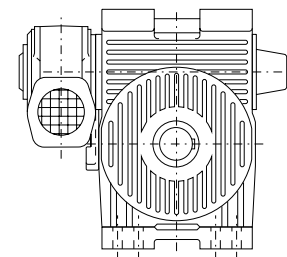
CDFW63 ... 630



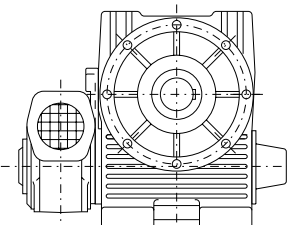
CDDA63 ... 630



CDUA63 ... 630



CDOA63 ... 630

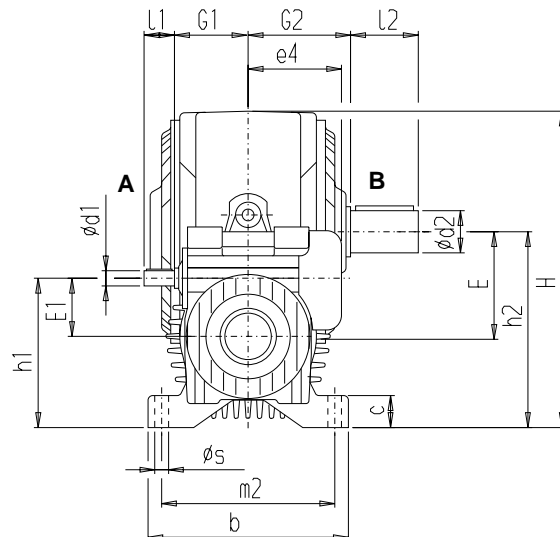
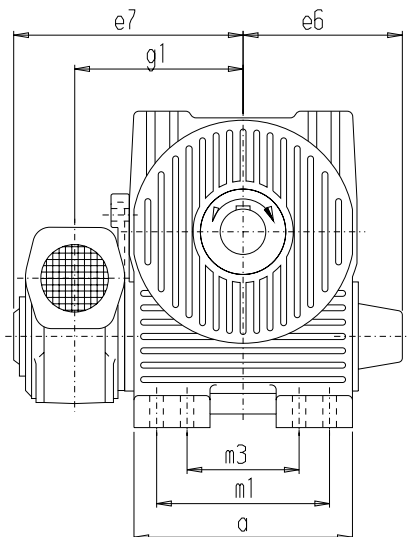


CDFA63 ... 630

双级蜗轮蜗杆齿轮箱，类型CDUW
输出轴在A侧或B侧或者在两侧

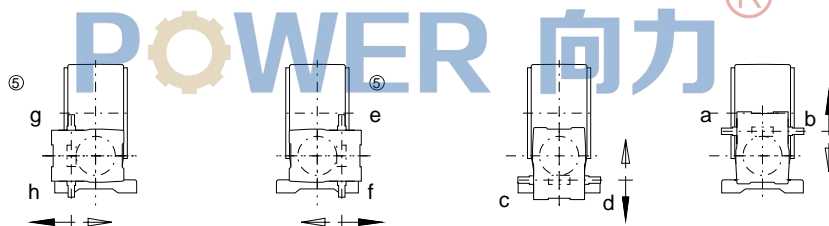
Double Worm Gear Units CDUW
with Output shaft on side A, B or both sides

CDUW01



输入轴在部位 a, b, c, d, e, f, g 或 h

Input shaft in position a, b, c, d, e, f, g or h

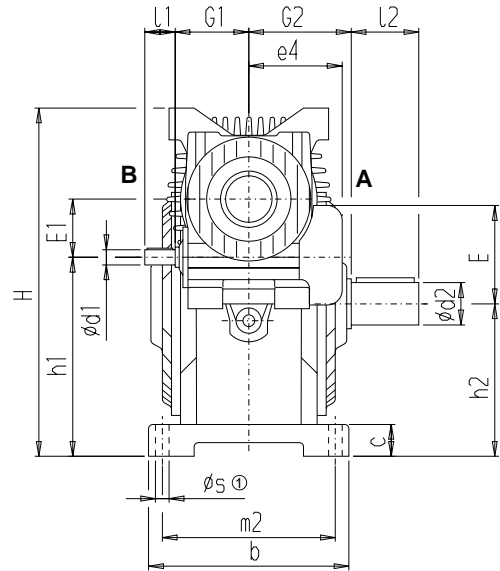
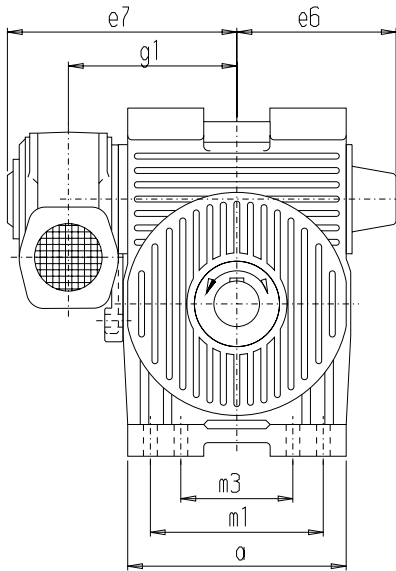


| 规格 Size | a | b | c | d1 | l1 | d2 | l2 | e4 | e6 | e7 | E | E1 | g1 | G1 | G2 | h1 | h2 | H | m1 | m2 | m3 | s |
|------------|------|-----|-----|------|-----|-------|-----|-----|-----|------|-----|-----|-----|-----|-----|-----|------|------|------|-----|-----|----|
| 100 | 216 | 200 | 28 | 18k6 | 35 | 48m6 | 80 | 119 | 155 | 262 | 100 | 63 | 189 | 85 | 102 | 153 | 190 | 309 | 170 | 170 | - | 15 |
| 120 | 254 | 235 | 32 | 18k6 | 35 | 55m6 | 95 | 119 | 180 | 283 | 120 | 63 | 210 | 85 | 120 | 168 | 225 | 364 | 200 | 200 | - | 19 |
| 140 | 290 | 260 | 36 | 22k6 | 40 | 65m6 | 105 | 140 | 203 | 334 | 140 | 80 | 245 | 102 | 132 | 195 | 255 | 416 | 230 | 225 | - | 19 |
| 160 | 324 | 295 | 40 | 22k6 | 40 | 70m6 | 120 | 140 | 224 | 353 | 160 | 80 | 264 | 102 | 150 | 210 | 290 | 472 | 260 | 255 | - | 19 |
| 180 | 364 | 325 | 45 | 28m6 | 50 | 80m6 | 140 | 168 | 249 | 400 | 180 | 100 | 298 | 124 | 165 | 240 | 320 | 522 | 290 | 280 | - | 24 |
| 200 | 396 | 350 | 50 | 28m6 | 50 | 90m6 | 160 | 168 | 269 | 418 | 200 | 100 | 316 | 124 | 178 | 250 | 350 | 573 | 315 | 295 | - | 24 |
| 225 | 440 | 380 | 55 | 32m6 | 55 | 100m6 | 180 | 194 | 294 | 466 | 225 | 120 | 351 | 145 | 195 | 285 | 390 | 638 | 350 | 325 | - | 28 |
| 250 | 480 | 415 | 60 | 32m6 | 55 | 110n6 | 200 | 194 | 321 | 491 | 250 | 120 | 376 | 145 | 212 | 300 | 430 | 703 | 385 | 355 | - | 28 |
| 280 | 525 | 450 | 65 | 38m6 | 60 | 120n6 | 220 | 220 | 299 | 550 | 280 | 140 | 423 | 165 | 230 | 340 | 480 | 786 | 430 | 385 | - | 35 |
| 315 | 590 | 490 | 70 | 42m6 | 70 | 140n6 | 240 | 244 | 334 | 611 | 315 | 160 | 469 | 184 | 252 | 375 | 530 | 870 | 480 | 420 | - | 35 |
| 355 | 665 | 535 | 78 | 48m6 | 80 | 150n6 | 260 | 272 | 376 | 679 | 355 | 180 | 525 | 205 | 275 | 420 | 595 | 977 | 540 | 460 | - | 42 |
| 400 | 748 | 585 | 85 | 55m6 | 90 | 170n6 | 290 | 294 | 419 | 741 | 400 | 200 | 576 | 223 | 300 | 460 | 660 | 1086 | 605 | 510 | - | 42 |
| 450 | 855 | 562 | 92 | 60m6 | 100 | 190n6 | 320 | 323 | 475 | 835 | 450 | 225 | 653 | 245 | 332 | 515 | 740 | 1270 | 750 | 495 | 560 | 35 |
| 500 | 955 | 616 | 100 | 65m6 | 105 | 210n6 | 350 | 354 | 530 | 922 | 500 | 250 | 726 | 270 | 365 | 565 | 815 | 1410 | 840 | 540 | 630 | 42 |
| 560 | 1050 | 678 | 110 | 70m6 | 110 | 230n6 | 390 | 387 | 589 | 1011 | 560 | 280 | 798 | 318 | 400 | 630 | 910 | 1560 | 920 | 600 | 700 | 42 |
| 630 | 1175 | 750 | 120 | 75m6 | 120 | 255n6 | 430 | 430 | 644 | 1121 | 630 | 315 | 888 | 355 | 440 | 700 | 1015 | 1745 | 1030 | 660 | 780 | 48 |

双级蜗轮蜗杆齿轮箱，类型CDOW
输出轴在A侧或B侧或者在两侧

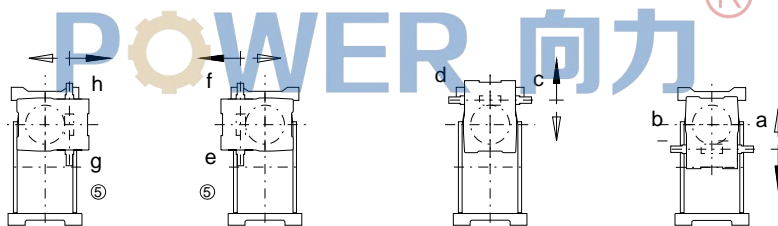
Double Worm Gear Units CDOW
with Output shaft on side A, B or both sides

CDOW01



输入轴在部位a, b, c, d, e, f, g 或 h

Input shaft in position a, b, c, d, e, f, g or h



| 规格 Size | a | b | c | d1 | l1 | d2 | l2 | e4 | e6 | e7 | E | E1 | g1 | G1 | G2 | h1 | h2 | H | m1 | m2 | m3 | s |
|------------|------|-----|-----|------|-----|-------|-----|------|-----|------|-----|-----|-----|-----|-----|------|-----|------|------|-----|-----|----|
| 100 | 216 | 200 | 28 | 18k6 | 35 | 48m6 | 80 | 119 | 155 | 262 | 100 | 63 | 189 | 85 | 102 | 182 | 145 | 335 | 170 | 170 | - | 15 |
| 120 | 254 | 235 | 32 | 18k6 | 35 | 55m6 | 95 | 119 | 180 | 283 | 120 | 63 | 210 | 85 | 120 | 227 | 170 | 395 | 200 | 200 | - | 19 |
| 140 | 290 | 260 | 36 | 22k6 | 40 | 65m6 | 105 | 140 | 203 | 334 | 140 | 80 | 245 | 102 | 132 | 255 | 195 | 450 | 230 | 225 | - | 19 |
| 160 | 324 | 295 | 40 | 22k6 | 40 | 70m6 | 120 | 140 | 224 | 353 | 160 | 80 | 264 | 102 | 150 | 300 | 220 | 510 | 260 | 255 | - | 19 |
| 180 | 364 | 325 | 45 | 28m6 | 50 | 80m6 | 140 | 168 | 249 | 400 | 180 | 100 | 298 | 124 | 165 | 325 | 245 | 565 | 290 | 280 | - | 24 |
| 200 | 396 | 350 | 50 | 28m6 | 50 | 90m6 | 160 | 168 | 269 | 418 | 200 | 100 | 316 | 124 | 178 | 370 | 270 | 620 | 315 | 295 | - | 24 |
| 225 | 440 | 380 | 55 | 32m6 | 55 | 100m6 | 180 | 194 | 294 | 466 | 225 | 120 | 351 | 145 | 195 | 405 | 300 | 690 | 350 | 325 | - | 28 |
| 250 | 480 | 415 | 60 | 32m6 | 55 | 110n6 | 200 | 194 | 321 | 491 | 250 | 120 | 376 | 145 | 212 | 460 | 330 | 760 | 385 | 355 | - | 28 |
| 280 | 525 | 450 | 65 | 38m6 | 60 | 120n6 | 220 | 220 | 299 | 550 | 280 | 140 | 423 | 165 | 230 | 507 | 367 | 847 | 430 | 385 | - | 35 |
| 315 | 590 | 490 | 70 | 42m6 | 70 | 140n6 | 240 | 244 | 334 | 611 | 315 | 160 | 469 | 184 | 252 | 560 | 405 | 935 | 480 | 420 | - | 35 |
| 355 | 665 | 535 | 78 | 48m6 | 80 | 150n6 | 260 | 272 | 376 | 679 | 355 | 180 | 525 | 205 | 275 | 690 | 455 | 1050 | 540 | 460 | - | 42 |
| 400 | 748 | 585 | 85 | 55m6 | 90 | 170n6 | 290 | 294 | 419 | 741 | 400 | 200 | 576 | 223 | 300 | 705 | 505 | 1165 | 605 | 510 | - | 42 |
| 450 | 855 | 562 | 92 | 60m6 | 100 | 190n6 | 320 | 323 | 475 | 835 | 450 | 225 | 653 | 245 | 332 | 755 | 530 | 1270 | 750 | 495 | 560 | 35 |
| 500 | 955 | 616 | 100 | 65m6 | 105 | 210n6 | 350 | 354 | 530 | 922 | 500 | 250 | 726 | 270 | 365 | 845 | 595 | 1410 | 840 | 540 | 630 | 42 |
| 560 | 1050 | 678 | 110 | 70m6 | 110 | 230n6 | 390 | 387 | 589 | 1011 | 560 | 280 | 798 | 318 | 400 | 930 | 650 | 1560 | 920 | 600 | 700 | 42 |
| 630 | 1175 | 750 | 120 | 75m6 | 120 | 255n6 | 430 | 430, | 644 | 1121 | 630 | 315 | 888 | 355 | 440 | 1045 | 730 | 1745 | 1030 | 660 | 780 | 48 |

① 采用螺栓和螺母安装

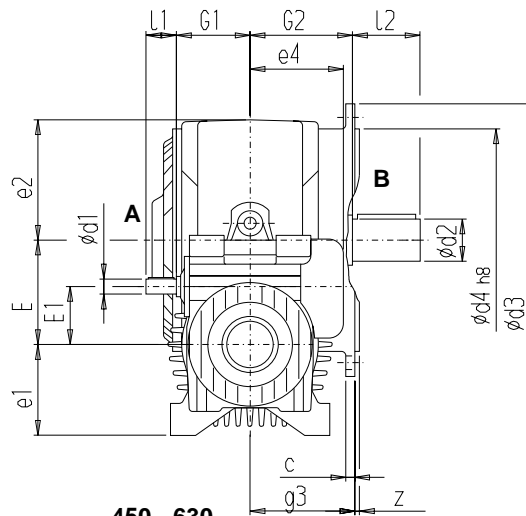
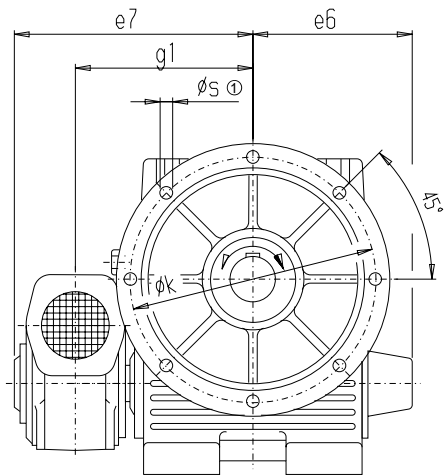
① Mounting with studs and nuts

双级蜗轮蜗杆齿轮箱，类型CDFW
法兰在A侧B侧

Double Worm Gear Units CDFW
with flange on side A or B

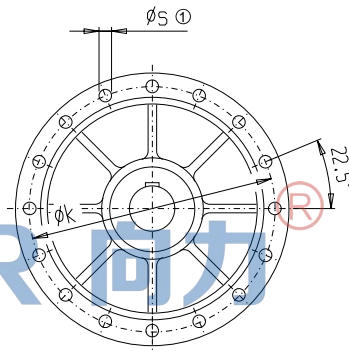
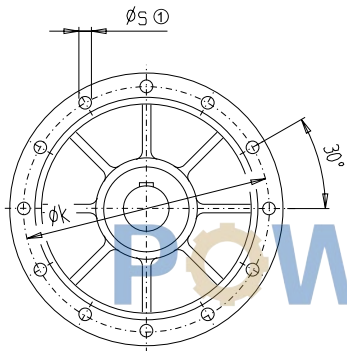
规格 / Size: 100 - 200

CDFW01



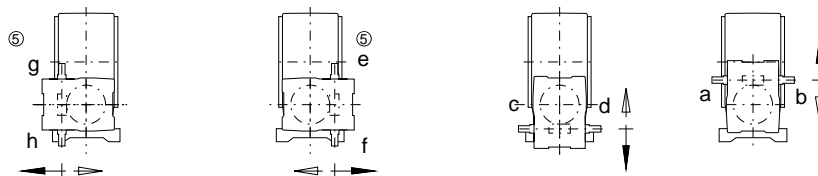
规格 / Size: 225 - 400

450 - 630



输入轴在部位a, b, c, d, e, f, g 或 h

Input shaft in position a, b, c, d, e, f, g or h



| 规格 Size | c | d1 | l1 | d2 | l2 | d3 | d4 | e1 | e2 | e4 | e6 | e7 | E | E1 | g1 | g3 | G1 | G2 | k | s | z |
|------------|------|------|-----|-------|-----|------|------|-----|-----|-----|-----|------|-----|-----|-----|-----|-----|-----|------|-----------|---|
| 100 | 9 | 18k6 | 35 | 48m6 | 80 | 266 | 220 | 90 | 119 | 119 | 155 | 262 | 100 | 63 | 189 | 107 | 85 | 102 | 245 | 8 x 11 | 4 |
| 120 | 10 | 18k6 | 35 | 55m6 | 95 | 315 | 260 | 105 | 139 | 119 | 180 | 283 | 120 | 63 | 210 | 125 | 85 | 120 | 290 | 8 x 13.5 | 5 |
| 140 | 11 | 22k6 | 40 | 65m6 | 105 | 360 | 305 | 115 | 161 | 140 | 203 | 334 | 140 | 80 | 245 | 138 | 102 | 132 | 335 | 8 x 13.5 | 5 |
| 160 | 12 | 22k6 | 40 | 70m6 | 120 | 410 | 340 | 130 | 182 | 140 | 224 | 353 | 160 | 80 | 264 | 157 | 102 | 150 | 380 | 8 x 17.5 | 5 |
| 180 | 13 | 28m6 | 50 | 80m6 | 140 | 450 | 380 | 140 | 202 | 168 | 249 | 400 | 180 | 100 | 298 | 172 | 124 | 165 | 420 | 8 x 17.5 | 5 |
| 200 | 14 | 28m6 | 50 | 90m6 | 160 | 490 | 420 | 150 | 223 | 168 | 269 | 418 | 200 | 100 | 316 | 185 | 124 | 178 | 460 | 8 x 17.5 | 5 |
| 225 | 15 | 32m6 | 55 | 100m6 | 180 | 540 | 465 | 165 | 248 | 194 | 294 | 466 | 225 | 120 | 351 | 202 | 145 | 195 | 505 | 12 x 17.5 | 5 |
| 250 | 16.5 | 32m6 | 55 | 110n6 | 200 | 590 | 515 | 180 | 273 | 194 | 321 | 491 | 250 | 120 | 376 | 220 | 145 | 212 | 555 | 12 x 17.5 | 6 |
| 280 | 18 | 38m6 | 60 | 120n6 | 220 | 665 | 575 | 200 | 306 | 220 | 299 | 550 | 280 | 140 | 423 | 238 | 165 | 230 | 625 | 12 x 22 | 6 |
| 315 | 19.5 | 42m6 | 70 | 140n6 | 240 | 730 | 640 | 215 | 340 | 244 | 334 | 611 | 315 | 160 | 469 | 260 | 184 | 252 | 690 | 12 x 22 | 6 |
| 355 | 21 | 48m6 | 80 | 150n6 | 260 | 825 | 725 | 240 | 382 | 272 | 376 | 679 | 355 | 180 | 525 | 286 | 205 | 275 | 780 | 12 x 26 | 6 |
| 400 | 22.5 | 55m6 | 90 | 170n6 | 290 | 910 | 805 | 260 | 426 | 294 | 419 | 741 | 400 | 200 | 576 | 312 | 223 | 300 | 865 | 12 x 26 | 6 |
| 450 | 24 | 60m6 | 100 | 190n6 | 320 | 1025 | 905 | 290 | 530 | 323 | 475 | 835 | 450 | 225 | 653 | 345 | 245 | 332 | 975 | 16 x 26 | 6 |
| 500 | 25.5 | 65m6 | 105 | 210n6 | 350 | 1150 | 1015 | 315 | 595 | 354 | 530 | 922 | 500 | 250 | 726 | 389 | 270 | 365 | 1095 | 16 x 33 | 6 |
| 560 | 27 | 70m6 | 110 | 230n6 | 390 | 1270 | 1125 | 350 | 650 | 387 | 589 | 1011 | 560 | 280 | 798 | 415 | 318 | 400 | 1210 | 16 x 33 | 6 |
| 630 | 28.5 | 75m6 | 120 | 255n6 | 430 | 1405 | 1260 | 385 | 730 | 430 | 644 | 1121 | 630 | 315 | 888 | 456 | 355 | 440 | 1345 | 16 x 33 | 6 |

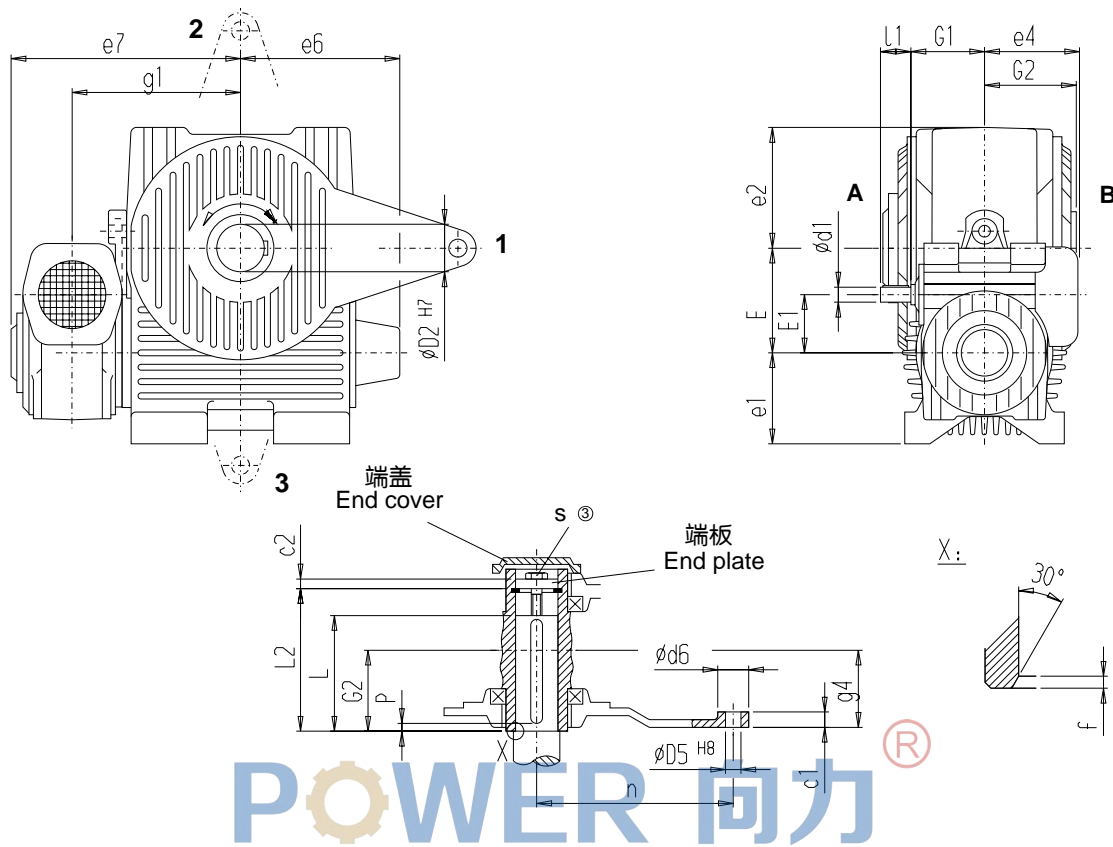
① 采用螺栓和螺母安装

① Mounting with studs and nuts

双级蜗轮蜗杆齿轮箱，类型CDDA
在A侧或B侧配置扭力臂支撑
带或不带端板

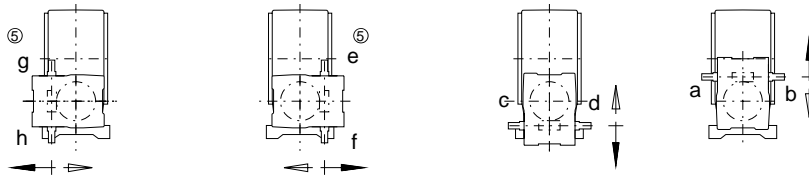
Double Worm Gear Units CDDA
with torque arm on side A or B
with or without end plate

CDDA01



输入轴在部位a, b, c, d, e, f, g 或 h

Input shaft in position a, b, c, d, e, f, g or h



| 规格 Size | 1 | c2 | d1 | l1 | d6 | D2 | D5 | e1 | e2 | e4 | e6 | e7 | E | E1 | f | g1 | g4 | G1 | G2 | min. | L max.* | L2 | n | P min. | s |
|------------|----|----|------|-----|-----|-----|----|-----|-----|-----|-----|------|-----|-----|---|-----|-----|-----|-----|------|------------|-------|------|-----------|-----|
| 100 | 20 | 11 | 18k6 | 35 | 40 | 50 | 20 | 90 | 119 | 119 | 155 | 262 | 100 | 63 | 3 | 189 | 88 | 85 | 93 | 136 | 147 | 165 | 225 | 14 | M16 |
| 120 | 20 | 12 | 18k6 | 35 | 50 | 60 | 25 | 105 | 139 | 119 | 180 | 283 | 120 | 63 | 3 | 210 | 101 | 85 | 106 | 155 | 167 | 187 | 270 | 16 | M20 |
| 140 | 25 | 14 | 22k6 | 40 | 50 | 65 | 25 | 115 | 161 | 140 | 203 | 334 | 140 | 80 | 3 | 245 | 113 | 102 | 118 | 173 | 186 | 208.5 | 315 | 18 | M20 |
| 160 | 25 | 15 | 22k6 | 40 | 65 | 75 | 32 | 130 | 182 | 140 | 224 | 353 | 160 | 80 | 4 | 264 | 126 | 102 | 132 | 194 | 212 | 235.5 | 360 | 20 | M20 |
| 180 | 32 | 16 | 28m6 | 50 | 65 | 85 | 32 | 140 | 202 | 168 | 249 | 400 | 180 | 100 | 4 | 298 | 138 | 124 | 144 | 212 | 233 | 259 | 405 | 22 | M20 |
| 200 | 32 | 17 | 28m6 | 50 | 80 | 95 | 40 | 150 | 223 | 168 | 269 | 418 | 200 | 100 | 4 | 316 | 148 | 124 | 155 | 228 | 250 | 278 | 450 | 25 | M24 |
| 225 | 40 | 18 | 32m6 | 55 | 80 | 105 | 40 | 165 | 248 | 194 | 294 | 466 | 225 | 120 | 5 | 351 | 163 | 145 | 170 | 250 | 276 | 307 | 505 | 28 | M24 |
| 250 | 40 | 20 | 32m6 | 55 | 80 | 115 | 40 | 180 | 273 | 194 | 321 | 491 | 250 | 120 | 5 | 376 | 178 | 145 | 185 | 272 | 301 | 335 | 560 | 30 | M24 |
| 280 | 40 | 22 | 38m6 | 60 | 100 | 125 | 50 | 200 | 306 | 220 | 299 | 550 | 280 | 140 | 5 | 423 | 192 | 165 | 200 | 293 | 326 | 363 | 630 | 32 | M24 |
| 315 | 50 | 24 | 42m6 | 70 | 100 | 140 | 50 | 215 | 340 | 244 | 334 | 611 | 315 | 160 | 5 | 469 | 212 | 184 | 220 | 322 | 357 | 397 | 710 | 36 | M30 |
| 355 | 50 | 27 | 48m6 | 80 | 120 | 160 | 60 | 240 | 382 | 272 | 376 | 679 | 355 | 180 | 5 | 525 | 233 | 205 | 242 | 354 | 394 | 438 | 800 | 40 | M30 |
| 400 | 60 | 30 | 55m6 | 90 | 120 | 180 | 60 | 260 | 426 | 294 | 419 | 741 | 400 | 200 | 5 | 576 | 256 | 223 | 265 | 387 | 433 | 481 | 900 | 45 | M30 |
| 450 | 60 | 33 | 60m6 | 100 | 150 | 200 | 75 | 290 | 530 | 323 | 475 | 835 | 450 | 225 | 6 | 653 | 282 | 245 | 292 | 425 | 480 | 532 | 1010 | 48 | M30 |
| 500 | 75 | 36 | 65m6 | 105 | 150 | 220 | 75 | 315 | 595 | 354 | 530 | 922 | 500 | 250 | 6 | 726 | 310 | 270 | 320 | 465 | 528 | 585 | 1120 | 50 | M36 |
| 560 | 75 | 38 | 70m6 | 110 | 170 | 240 | 90 | 350 | 650 | 387 | 589 | 1011 | 560 | 280 | 6 | 798 | 341 | 318 | 352 | 510 | 583 | 643 | 1260 | 56 | M36 |
| 630 | 90 | 40 | 75m6 | 120 | 170 | 270 | 90 | 385 | 730 | 430 | 644 | 1121 | 630 | 315 | 6 | 888 | 377 | 355 | 388 | 560 | 650 | 713 | 1420 | 63 | M36 |

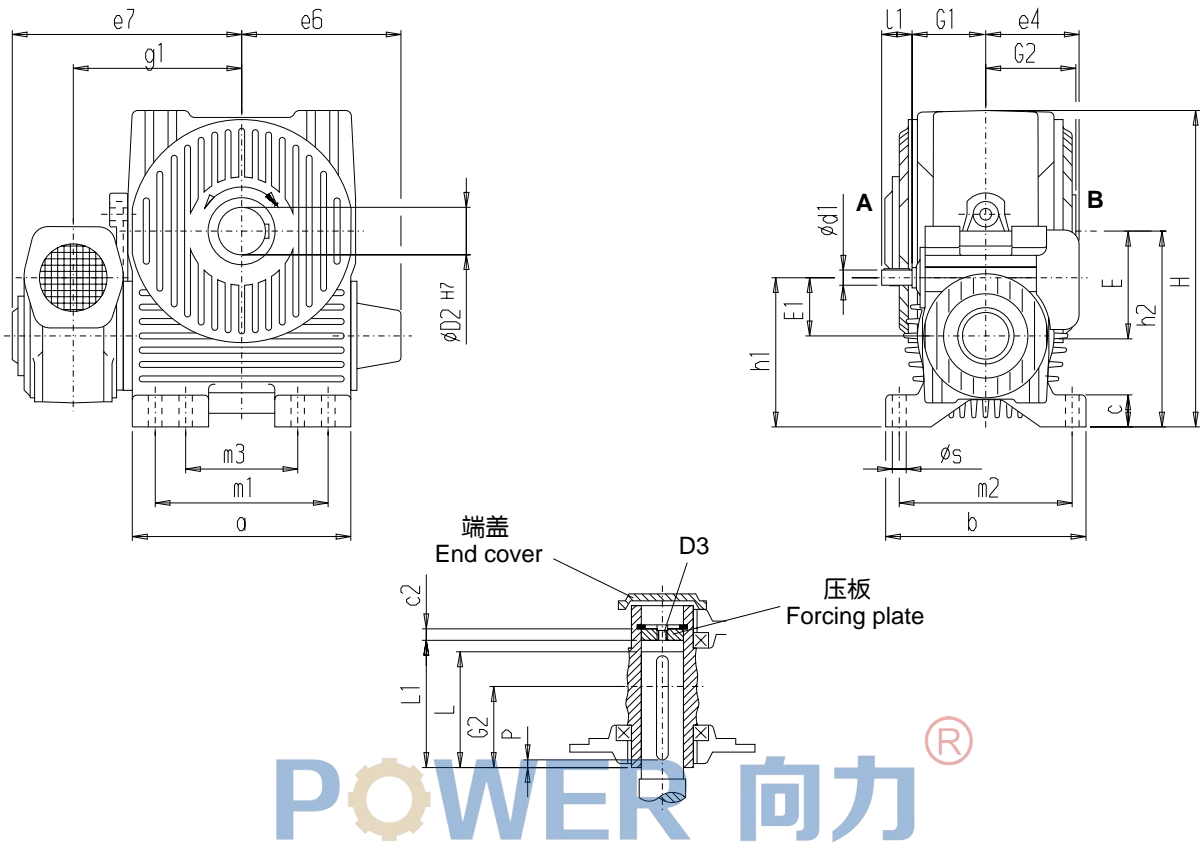
* Lmax 仅适用于采样压板的情况

* Lmax. is applicable only when using a forcing plate.

双级蜗轮蜗杆齿轮箱，类型CDUA
输出在A侧或B侧
带或不带端板

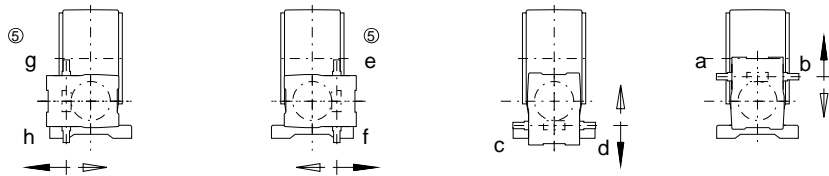
Double Worm Gear Units CDUA
with output on side A or B
with or without forcing plate

CDUA01



输入轴在部位a, b, c, d, e, f, g 或 h

Input shaft in position a, b, c, d, e, f, g or h



| 规格 Size | a | b | c | c2 | d1 | l1 | D2 | D3 | e4 | e6 | e7 | E | E1 | g1 | G1 | G2 | h1 | h2 | H | L | | L1 | m1 | m2 | m3 | P | s |
|------------|------|-----|-------|----|------|-----|-----|-----|-----|-----|------|-----|-----|-----|-----|-----|-----|------|------|-----|-----|-------|------|-----|-----|----|----|
| | min. | | max.* | | | | | | | | | | | | | | | | | | | | | | | | |
| 100 | 216 | 200 | 28 | 11 | 18k6 | 35 | 50 | M20 | 119 | 155 | 262 | 100 | 63 | 189 | 85 | 93 | 153 | 190 | 309 | 136 | 147 | 152 | 170 | 170 | - | 14 | 15 |
| 120 | 254 | 235 | 32 | 12 | 18k6 | 35 | 60 | M24 | 119 | 180 | 283 | 120 | 63 | 210 | 85 | 106 | 168 | 225 | 364 | 155 | 167 | 173 | 200 | 200 | - | 16 | 19 |
| 140 | 290 | 260 | 36 | 14 | 22k6 | 40 | 65 | M24 | 140 | 203 | 334 | 140 | 80 | 245 | 102 | 118 | 195 | 255 | 416 | 173 | 186 | 192.5 | 230 | 225 | - | 18 | 19 |
| 160 | 324 | 295 | 40 | 15 | 22k6 | 40 | 75 | M24 | 140 | 224 | 353 | 160 | 80 | 264 | 102 | 132 | 210 | 290 | 472 | 194 | 212 | 218.5 | 260 | 255 | - | 20 | 19 |
| 180 | 364 | 325 | 45 | 16 | 28m6 | 50 | 85 | M24 | 168 | 249 | 400 | 180 | 100 | 298 | 124 | 144 | 240 | 320 | 522 | 212 | 233 | 240 | 290 | 280 | - | 22 | 24 |
| 200 | 396 | 350 | 50 | 17 | 28m6 | 50 | 95 | M30 | 168 | 269 | 418 | 200 | 100 | 316 | 124 | 155 | 250 | 350 | 573 | 228 | 250 | 258 | 315 | 295 | - | 25 | 24 |
| 225 | 440 | 380 | 55 | 18 | 32m6 | 55 | 105 | M30 | 194 | 294 | 466 | 225 | 120 | 351 | 145 | 170 | 285 | 390 | 638 | 250 | 276 | 285 | 350 | 325 | - | 28 | 28 |
| 250 | 480 | 415 | 60 | 20 | 32m6 | 55 | 115 | M30 | 194 | 321 | 491 | 250 | 120 | 376 | 145 | 185 | 300 | 430 | 703 | 272 | 301 | 311 | 385 | 355 | - | 30 | 28 |
| 280 | 525 | 450 | 65 | 22 | 38m6 | 60 | 125 | M30 | 220 | 299 | 550 | 280 | 140 | 423 | 165 | 200 | 340 | 480 | 786 | 293 | 326 | 337 | 430 | 385 | - | 32 | 35 |
| 315 | 590 | 490 | 70 | 24 | 42m6 | 70 | 140 | M36 | 244 | 334 | 611 | 315 | 160 | 469 | 184 | 220 | 375 | 530 | 870 | 322 | 357 | 369 | 480 | 420 | - | 36 | 35 |
| 355 | 665 | 535 | 78 | 27 | 48m6 | 80 | 160 | M36 | 272 | 376 | 679 | 355 | 180 | 525 | 205 | 242 | 420 | 595 | 977 | 354 | 394 | 407 | 540 | 460 | - | 40 | 42 |
| 400 | 748 | 585 | 85 | 30 | 55m6 | 90 | 180 | M36 | 294 | 419 | 741 | 400 | 200 | 576 | 223 | 265 | 460 | 660 | 1086 | 387 | 433 | 447 | 605 | 510 | - | 45 | 42 |
| 450 | 855 | 562 | 92 | 33 | 60m6 | 100 | 200 | M36 | 323 | 475 | 835 | 450 | 225 | 653 | 245 | 292 | 515 | 740 | 1270 | 425 | 480 | 495 | 750 | 495 | 560 | 48 | 35 |
| 500 | 955 | 616 | 100 | 36 | 65m6 | 105 | 220 | M36 | 354 | 530 | 922 | 500 | 250 | 726 | 270 | 320 | 565 | 815 | 1410 | 465 | 528 | 544 | 840 | 540 | 630 | 50 | 42 |
| 560 | 1050 | 678 | 110 | 38 | 70m6 | 110 | 240 | M42 | 387 | 589 | 1011 | 560 | 280 | 798 | 318 | 352 | 630 | 910 | 1560 | 510 | 583 | 600 | 920 | 600 | 700 | 56 | 42 |
| 630 | 1175 | 750 | 120 | 40 | 75m6 | 120 | 270 | M42 | 430 | 644 | 1121 | 630 | 315 | 888 | 355 | 388 | 700 | 1015 | 1745 | 560 | 650 | 668 | 1030 | 660 | 780 | 63 | 48 |

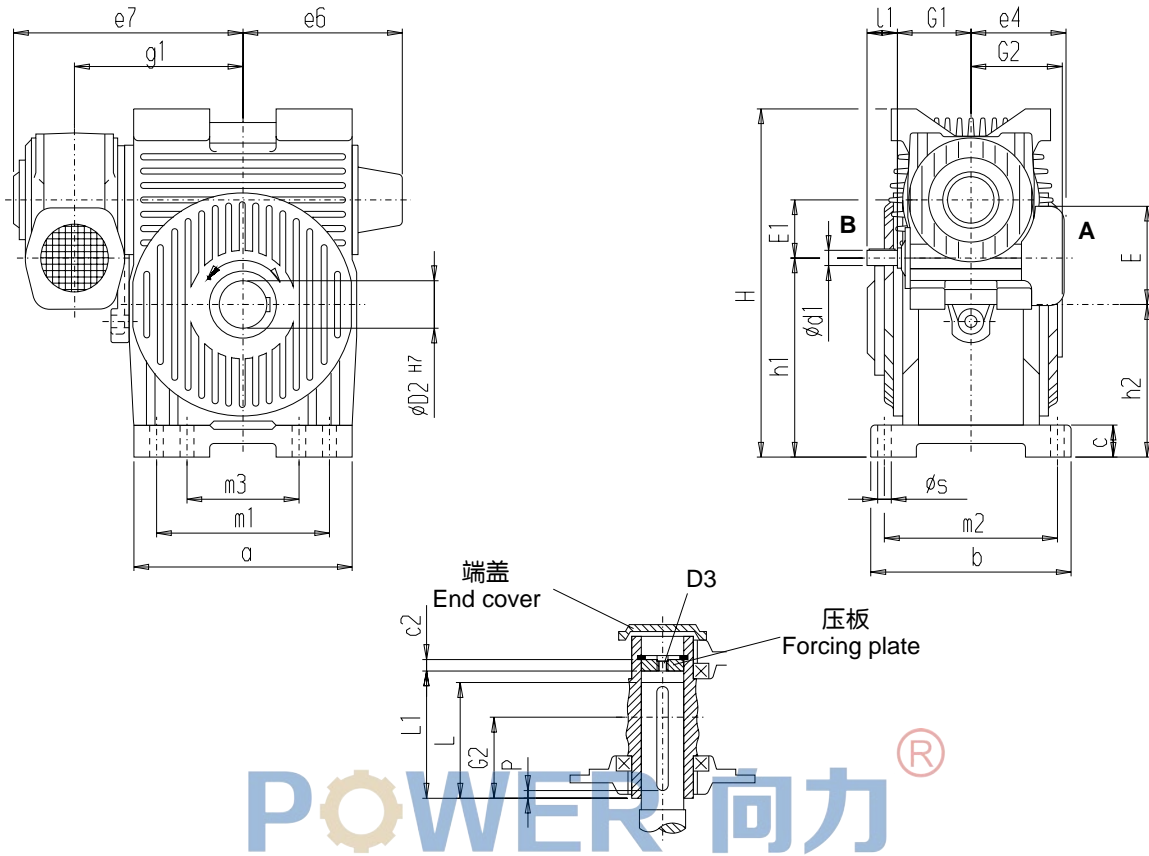
* Lmax 仅适用于采样压板的情况

* Lmax. is applicable only when using a forcing plate.

双级蜗轮蜗杆齿轮箱，类型CDOA
输出在A侧或B侧
带或不带端板

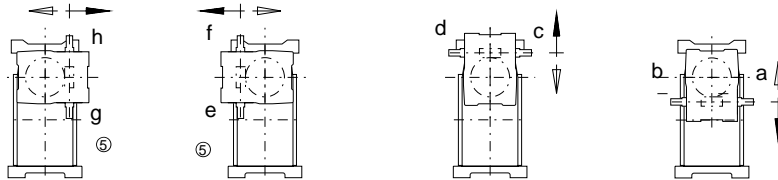
Double Worm Gear Units CDOA
with output on side A or B
with or without forcing plate

CDOA01



输入轴在部位a, b, c, d, e, f, g 或 h

Input shaft in position a, b, c, d, e, f, g or h



| 规格 Size | a | b | c | c2 | d1 | l1 | D2 | D3 | e4 | e6 | e7 | E | E1 | g1 | G1 | G2 | h1 | h2 | H | m1 | m2 | m3 | L | | L1 | P | s |
|------------|------|-----|-----|----|------|-----|-----|-----|-----|-----|------|-----|-----|-----|-----|-----|------|-----|------|------|-----|-----|------|-------|-------|----|----|
| | | | | | | | | | | | | | | | | | | | | | | | min. | max.* | | | |
| 100 | 216 | 200 | 28 | 11 | 18k6 | 35 | 50 | M20 | 119 | 155 | 262 | 100 | 63 | 189 | 85 | 93 | 182 | 145 | 335 | 170 | 170 | - | 136 | 147 | 152 | 14 | 15 |
| 120 | 254 | 235 | 32 | 12 | 18k6 | 35 | 60 | M24 | 119 | 180 | 283 | 120 | 63 | 210 | 85 | 106 | 227 | 170 | 395 | 200 | 200 | - | 155 | 167 | 173 | 16 | 19 |
| 140 | 290 | 260 | 36 | 14 | 22k6 | 40 | 65 | M24 | 140 | 203 | 334 | 140 | 80 | 245 | 102 | 118 | 255 | 195 | 450 | 230 | 225 | - | 173 | 186 | 192.5 | 18 | 19 |
| 160 | 324 | 295 | 40 | 15 | 22k6 | 40 | 75 | M24 | 140 | 224 | 353 | 160 | 80 | 264 | 102 | 132 | 300 | 220 | 510 | 260 | 255 | - | 194 | 212 | 218.5 | 20 | 19 |
| 180 | 364 | 325 | 45 | 16 | 28m6 | 50 | 85 | M24 | 168 | 249 | 400 | 180 | 100 | 298 | 124 | 144 | 325 | 245 | 565 | 290 | 280 | - | 212 | 233 | 240 | 22 | 24 |
| 200 | 396 | 350 | 50 | 17 | 28m6 | 50 | 95 | M30 | 168 | 269 | 418 | 200 | 100 | 316 | 124 | 155 | 370 | 270 | 620 | 315 | 295 | - | 228 | 250 | 258 | 25 | 24 |
| 225 | 440 | 380 | 55 | 18 | 32m6 | 55 | 105 | M30 | 194 | 294 | 466 | 225 | 120 | 351 | 145 | 170 | 405 | 300 | 690 | 350 | 325 | - | 250 | 276 | 285 | 28 | 28 |
| 250 | 480 | 415 | 60 | 20 | 32m6 | 55 | 115 | M30 | 194 | 321 | 491 | 250 | 120 | 376 | 145 | 185 | 460 | 330 | 760 | 385 | 355 | - | 272 | 301 | 311 | 30 | 28 |
| 280 | 525 | 450 | 65 | 22 | 38m6 | 60 | 125 | M36 | 220 | 299 | 550 | 280 | 140 | 423 | 165 | 200 | 507 | 367 | 847 | 430 | 385 | - | 293 | 326 | 337 | 32 | 35 |
| 315 | 590 | 490 | 70 | 24 | 42m6 | 70 | 140 | M36 | 244 | 334 | 611 | 315 | 160 | 469 | 184 | 220 | 560 | 405 | 935 | 480 | 420 | - | 322 | 357 | 369 | 36 | 35 |
| 355 | 665 | 535 | 78 | 27 | 48m6 | 80 | 160 | M36 | 272 | 376 | 679 | 355 | 180 | 525 | 205 | 242 | 690 | 455 | 1050 | 540 | 460 | - | 354 | 394 | 407 | 40 | 42 |
| 400 | 748 | 585 | 85 | 30 | 55m6 | 90 | 180 | M36 | 294 | 419 | 741 | 400 | 200 | 576 | 223 | 265 | 705 | 505 | 1165 | 605 | 510 | - | 387 | 433 | 447 | 45 | 42 |
| 450 | 855 | 562 | 92 | 33 | 60m6 | 100 | 200 | M36 | 323 | 475 | 835 | 450 | 225 | 653 | 245 | 292 | 755 | 530 | 1270 | 750 | 495 | 560 | 425 | 480 | 495 | 48 | 35 |
| 500 | 955 | 616 | 100 | 36 | 65m6 | 105 | 220 | M36 | 354 | 530 | 922 | 500 | 250 | 726 | 270 | 320 | 845 | 595 | 1410 | 840 | 540 | 630 | 465 | 528 | 544 | 50 | 42 |
| 560 | 1050 | 678 | 110 | 38 | 70m6 | 110 | 240 | M42 | 387 | 589 | 1011 | 560 | 280 | 798 | 318 | 352 | 930 | 650 | 1560 | 920 | 600 | 700 | 510 | 583 | 600 | 56 | 42 |
| 630 | 1175 | 750 | 120 | 40 | 75m6 | 120 | 270 | M42 | 430 | 644 | 1121 | 630 | 315 | 888 | 355 | 388 | 1045 | 730 | 1745 | 1030 | 660 | 780 | 560 | 650 | 668 | 63 | 48 |

* Lmax 仅适用于采样压板的情况

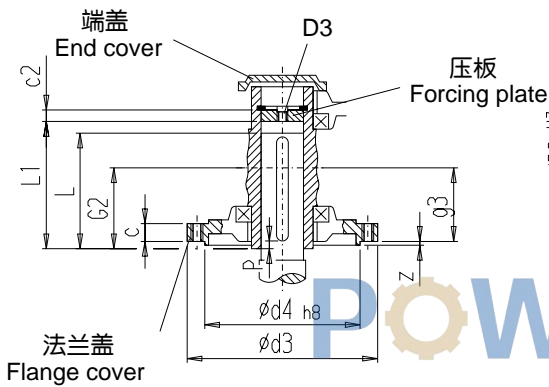
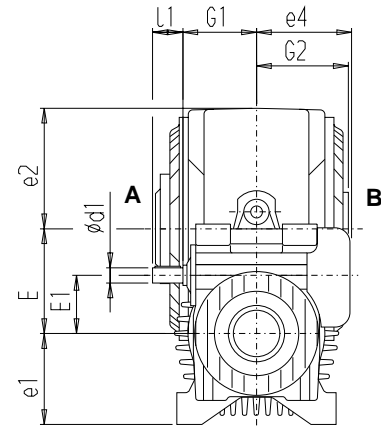
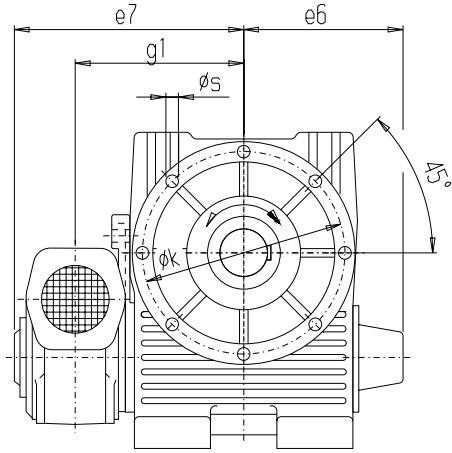
* Lmax. is applicable only when using a forcing plate.

双级蜗轮蜗杆齿轮箱，类型CDFA
在A侧或B侧配置法兰盖
带或不带压板

Double Worm Gear Units CDFA
with flange cover on side A or B
with or without forcing plate

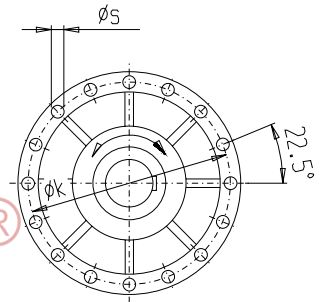
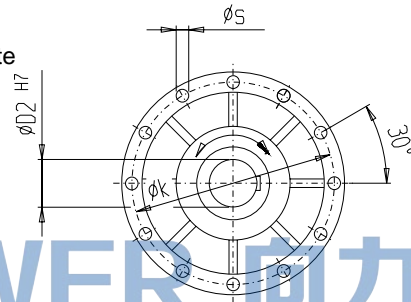
规格 / Size: 100 - 200

CDFA01



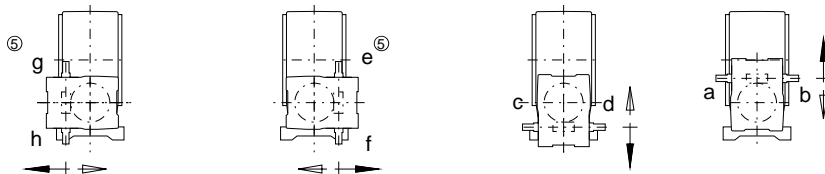
规格 / Size: 225 - 400

450 - 630



输入轴在部位a, b, c, d, e, f, g 或 h

Input shaft in position a, b, c, d, e, f, g or h



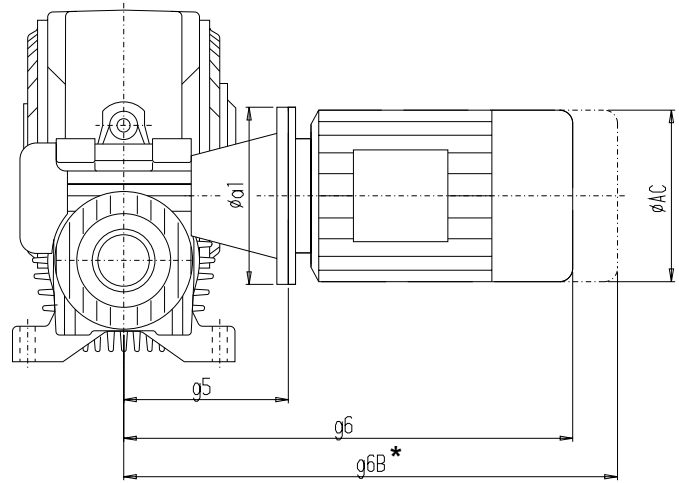
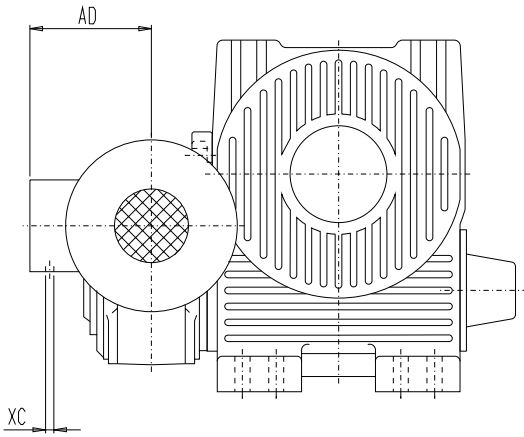
| 规格 Size | c | c2 | d1 | l1 | d3 | d4 | D2 | D3 | e1 | e2 | e4 | e6 | e7 | E | E1 | g1 | g3 | G1 | G2 | k | L | | L1 | P min. | s | z |
|------------|------|----|------|-----|------|------|-----|-----|-----|-----|-----|-----|------|-----|-----|-----|-----|-----|-----|------|------|-------|-------|-----------|----------|-----|
| | | | | | | | | | | | | | | | | | | | | | min. | max.* | | | | |
| 100 | 20 | 11 | 18k6 | 35 | 217 | 155 | 50 | M20 | 90 | 119 | 119 | 155 | 262 | 100 | 63 | 189 | 90 | 85 | 93 | 195 | 136 | 147 | 152 | 14 | 8 x M10 | 3.5 |
| 120 | 23 | 12 | 18k6 | 35 | 258 | 190 | 60 | M24 | 105 | 139 | 119 | 180 | 283 | 120 | 63 | 210 | 104 | 85 | 106 | 235 | 155 | 167 | 173 | 16 | 8 x M12 | 4 |
| 140 | 24.5 | 14 | 22k6 | 40 | 302 | 225 | 65 | M24 | 115 | 161 | 140 | 203 | 334 | 140 | 80 | 245 | 116 | 102 | 118 | 275 | 173 | 186 | 192.5 | 18 | 8 x M12 | 4 |
| 160 | 27.5 | 15 | 22k6 | 40 | 338 | 260 | 75 | M24 | 130 | 182 | 140 | 224 | 353 | 160 | 80 | 264 | 129 | 102 | 132 | 310 | 194 | 212 | 218.5 | 20 | 8 x M16 | 5 |
| 180 | 31.5 | 16 | 28m6 | 50 | 379 | 295 | 85 | M24 | 140 | 202 | 168 | 249 | 400 | 180 | 100 | 298 | 142 | 124 | 144 | 350 | 212 | 233 | 240 | 22 | 8 x M16 | 5 |
| 200 | 34 | 17 | 28m6 | 50 | 416 | 330 | 95 | M30 | 150 | 223 | 168 | 269 | 418 | 200 | 100 | 316 | 152 | 124 | 155 | 385 | 228 | 250 | 258 | 25 | 8 x M16 | 5 |
| 225 | 37.5 | 18 | 32m6 | 55 | 462 | 375 | 105 | M30 | 165 | 248 | 194 | 294 | 466 | 225 | 120 | 351 | 167 | 145 | 170 | 430 | 250 | 276 | 285 | 28 | 12 x M16 | 5 |
| 250 | 40.5 | 20 | 32m6 | 55 | 510 | 420 | 115 | M30 | 180 | 273 | 194 | 321 | 491 | 250 | 120 | 376 | 181 | 145 | 185 | 480 | 272 | 301 | 311 | 30 | 12 x M16 | 5 |
| 280 | 42.5 | 22 | 38m6 | 60 | 574 | 465 | 125 | M30 | 200 | 306 | 220 | 299 | 550 | 280 | 140 | 423 | 196 | 165 | 200 | 535 | 293 | 326 | 337 | 32 | 12 x M20 | 6 |
| 315 | 47 | 24 | 42m6 | 70 | 638 | 530 | 140 | M36 | 215 | 340 | 244 | 334 | 611 | 315 | 160 | 469 | 216 | 184 | 220 | 600 | 322 | 357 | 369 | 36 | 12 x M20 | 6 |
| 355 | 50.5 | 27 | 48m6 | 80 | 720 | 600 | 160 | M36 | 240 | 382 | 272 | 376 | 679 | 355 | 180 | 525 | 238 | 205 | 242 | 680 | 354 | 394 | 407 | 40 | 12 x M24 | 6 |
| 400 | 52 | 30 | 55m6 | 90 | 804 | 680 | 180 | M36 | 260 | 426 | 294 | 419 | 741 | 400 | 200 | 576 | 260 | 223 | 265 | 760 | 387 | 433 | 447 | 45 | 12 x M24 | 6 |
| 450 | 56 | 33 | 60m6 | 100 | 906 | 770 | 200 | M36 | 290 | 530 | 323 | 475 | 835 | 450 | 225 | 653 | 287 | 245 | 292 | 860 | 425 | 480 | 495 | 48 | 16 x M24 | 6 |
| 500 | 59 | 36 | 65m6 | 105 | 1014 | 860 | 220 | M36 | 315 | 595 | 354 | 530 | 922 | 500 | 250 | 726 | 314 | 270 | 320 | 960 | 465 | 528 | 544 | 50 | 16 x M24 | 6 |
| 560 | 65 | 38 | 70m6 | 110 | 1126 | 965 | 240 | M42 | 350 | 650 | 387 | 589 | 1011 | 560 | 280 | 798 | 346 | 318 | 352 | 1070 | 510 | 583 | 600 | 56 | 16 x M24 | 6 |
| 630 | 68 | 40 | 75m6 | 120 | 1258 | 1090 | 270 | M42 | 385 | 730 | 430 | 644 | 1121 | 630 | 315 | 888 | 382 | 355 | 388 | 1200 | 560 | 650 | 668 | 63 | 16 x M24 | 6 |

* Lmax 仅适用于采样压板的情况

* Lmax. is applicable only when using a forcing plate.

双级蜗轮蜗杆齿轮箱
IEC 电机的安装

Tandem Worm Gear Units
Mounting of IEC Motors



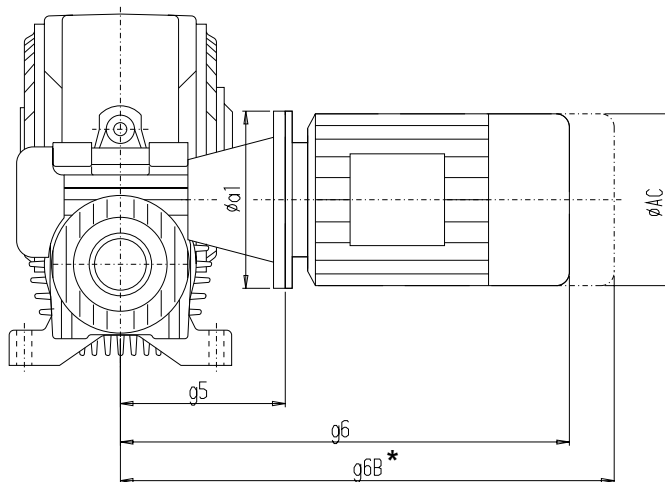
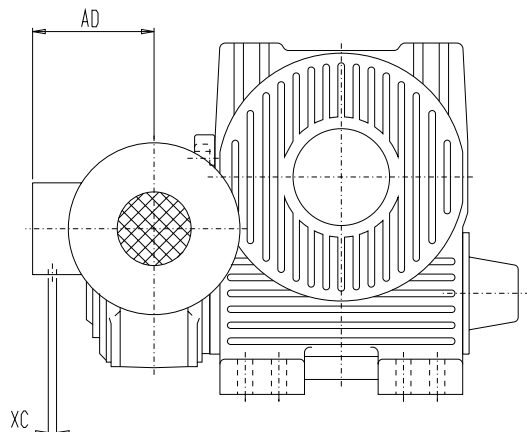
| 齿轮箱规格 Gear unit size | IEC 标准电机, B5,V1或V3 安装 IEC standard motor type B5, V1 or V3 | | | | | | | | BIPEX 联轴器, 类型 BWN BIPEX coupling type BWN | | | | |
|-------------------------|---|-----|-------|-------|-----|-----|-------|-----------|--|----------------------------------|----|---------------------------------------|----|
| | 规格 Size | a1 | g6 | g6B | g5 | AC | AD | XC | 孔 / Bores | | | | |
| | | | | | | | | | 规格 Size | 在电机侧 Motor side 部件 Part | φ | 在齿轮箱侧 Gear unit side 部件 Part | φ |
| 100 | MI71 | 160 | 384.5 | 428.5 | 162 | 138 | 118.5 | 2xM20x1.5 | B 43 | 2 | 14 | 2 | 18 |
| | MI80 | 200 | 417.5 | 469.5 | 174 | 158 | 126.5 | 2xM20x1.5 | B 53 | 2 | 19 | 2 | 18 |
| | MI90S | 200 | 446 | 512 | 174 | 176 | 150 | 2xM25x1.5 | B 53 | 2 | 24 | 2 | 18 |
| | MI90L | 200 | 446 | 512 | 174 | 176 | 150 | 2xM25x1.5 | B 53 | 2 | 24 | 2 | 18 |
| | MI100L | 250 | 501 | 573 | 196 | 194 | 160 | 2xM25x1.5 | B 62 | 2 | 28 | 2 | 18 |
| | MI112M | 250 | 544.5 | 625.5 | 196 | 218 | 167.5 | 2xM25x1.5 | B 62 | 2 | 28 | 2 | 18 |
| 120 | MI71 | 160 | 384.5 | 428.5 | 162 | 138 | 118.5 | 2xM20x1.5 | B 43 | 2 | 14 | 2 | 18 |
| | MI80 | 200 | 417.5 | 469.5 | 174 | 158 | 126.5 | 2xM20x1.5 | B 53 | 2 | 19 | 2 | 18 |
| | MI90S | 200 | 446 | 512 | 174 | 176 | 150 | 2xM25x1.5 | B 53 | 2 | 24 | 2 | 18 |
| | MI90L | 200 | 446 | 512 | 174 | 176 | 150 | 2xM25x1.5 | B 53 | 2 | 24 | 2 | 18 |
| | MI100L | 250 | 501 | 573 | 196 | 194 | 160 | 2xM25x1.5 | B 62 | 2 | 28 | 2 | 18 |
| | MI112M | 250 | 544.5 | 625.5 | 196 | 218 | 167.5 | 2xM25x1.5 | B 62 | 2 | 28 | 2 | 18 |
| 140 | MI80 | 200 | 441.5 | 493.5 | 198 | 158 | 126.5 | 2xM20x1.5 | B 62 | 2 | 19 | 2 | 22 |
| | MI90S | 200 | 470 | 536 | 198 | 176 | 150 | 2xM25x1.5 | B 62 | 2 | 24 | 2 | 22 |
| | MI90L | 200 | 470 | 536 | 198 | 176 | 150 | 2xM25x1.5 | B 62 | 2 | 24 | 2 | 22 |
| | MI100L | 250 | 523 | 595 | 218 | 194 | 160 | 2xM25x1.5 | B 62 | 2 | 28 | 2 | 22 |
| | MI112M | 250 | 566.5 | 647.5 | 218 | 218 | 167.5 | 2xM25x1.5 | B 62 | 2 | 28 | 2 | 22 |
| | MI132S | 300 | 655.5 | 755.5 | 240 | 258 | 181 | 2xM32x1.5 | AB 72 | 2 | 38 | 1 | 22 |
| 160 | MI80 | 200 | 441.5 | 493.5 | 198 | 158 | 126.5 | 2xM20x1.5 | B 62 | 2 | 19 | 2 | 22 |
| | MI90S | 200 | 470 | 536 | 198 | 176 | 150 | 2xM25x1.5 | B 62 | 2 | 24 | 2 | 22 |
| | MI90L | 200 | 470 | 536 | 198 | 176 | 150 | 2xM25x1.5 | B 62 | 2 | 24 | 2 | 22 |
| | MI100L | 250 | 523 | 595 | 218 | 194 | 160 | 2xM25x1.5 | B 62 | 2 | 28 | 2 | 22 |
| | MI112M | 250 | 566.5 | 647.5 | 218 | 218 | 167.5 | 2xM25x1.5 | B 62 | 2 | 28 | 2 | 22 |
| | MI132S | 300 | 655.5 | 755.5 | 240 | 258 | 181 | 2xM32x1.5 | AB 72 | 2 | 38 | 1 | 22 |
| | MI132M | 300 | 655.5 | 755.5 | 240 | 258 | 181 | 2xM32x1.5 | AB 72 | 2 | 38 | 1 | 22 |

* 这些尺寸可能因电机品牌的不同而有所差异。它们适用于未配置辅助设备的电机。

* The dimensions may vary depending on the motor manufacture. They are valid for motors without auxiliary equipment.

双级蜗轮蜗杆齿轮箱
IEC 电机的安装

Tandem Worm Gear Units
Mounting of IEC Motors



| 齿轮箱规格 Gear unit size | IEC 标准电机, B5,V1或V3 安装 IEC standard motor type B5, V1 or V3 | | | | | | | | BIPEX 联轴器, 类型 BWN BIPEX coupling type BWN | | | | | |
|-------------------------|---|-----|-------|-------|-----|-----|-------|-----------|--|--------------------|-------------------------|------------|----|------------|
| | 规格 Size | a1 | g6 | g6B | g5 | AC | AD | XC | 孔/ Bores | | | | | |
| | | | | | | | | | 规格 Size | 在电机侧 Motor side | 在齿轮箱侧 Gear unit side | 部件 Part | φ | 部件 Part |
| 180 | MI90S | 200 | 510 | 576 | 238 | 176 | 150 | 2xM25x1.5 | B 53 | 2 | 24 | 2 | 28 | |
| | MI90L | 200 | 510 | 576 | 238 | 176 | 150 | 2xM25x1.5 | B 53 | 2 | 24 | 2 | 28 | |
| | MI100L | 250 | 555 | 627 | 250 | 194 | 160 | 2xM25x1.5 | B 62 | 2 | 28 | 2 | 28 | |
| | MI112M | 250 | 598.5 | 679.5 | 250 | 218 | 167.5 | 2xM25x1.5 | B 62 | 2 | 28 | 2 | 28 | |
| | MI132S | 300 | 687.5 | 787.5 | 272 | 258 | 181 | 2xM32x1.5 | AB 72 | 2 | 38 | 1 | 28 | |
| | MI132M | 300 | 687.5 | 787.5 | 272 | 258 | 181 | 2xM32x1.5 | AB 72 | 2 | 38 | 1 | 28 | |
| | MI160M | 350 | 807 | 924 | 308 | 310 | 199 | 2xM32x1.5 | A 97 | 1 | 42 | 2 | 28 | |
| | MI160L | 350 | 807 | 924 | 308 | 310 | 199 | 2xM32x1.5 | A 97 | 1 | 42 | 2 | 28 | |
| 200 | MI90S | 200 | 510 | 576 | 238 | 176 | 150 | 2xM25x1.5 | B 53 | 2 | 24 | 2 | 28 | |
| | MI90L | 200 | 510 | 576 | 238 | 176 | 150 | 2xM25x1.5 | B 53 | 2 | 24 | 2 | 28 | |
| | MI100L | 250 | 555 | 627 | 250 | 194 | 160 | 2xM25x1.5 | B 62 | 2 | 28 | 2 | 28 | |
| | MI112M | 250 | 598.5 | 679.5 | 250 | 218 | 167.5 | 2xM25x1.5 | B 62 | 2 | 28 | 2 | 28 | |
| | MI132S | 300 | 687.5 | 787.5 | 272 | 258 | 181 | 2xM32x1.5 | AB 72 | 2 | 38 | 1 | 28 | |
| | MI132M | 300 | 687.5 | 787.5 | 272 | 258 | 181 | 2xM32x1.5 | AB 72 | 2 | 38 | 1 | 28 | |
| | MI160M | 350 | 807 | 924 | 308 | 310 | 199 | 2xM32x1.5 | A 97 | 1 | 42 | 2 | 28 | |
| | MI160L | 350 | 807 | 924 | 308 | 310 | 199 | 2xM32x1.5 | A 97 | 1 | 42 | 2 | 28 | |
| 225 | MI100L | 250 | 581 | 653 | 276 | 194 | 160 | 2xM25x1.5 | B 62 | 2 | 28 | 2 | 32 | |
| | MI112M | 250 | 624.5 | 705.5 | 276 | 218 | 167.5 | 2xM25x1.5 | B 62 | 2 | 28 | 2 | 32 | |
| | MI132S | 300 | 713.5 | 813.5 | 298 | 258 | 181 | 2xM32x1.5 | AB 72 | 2 | 38 | 1 | 32 | |
| | MI132M | 300 | 713.5 | 813.5 | 298 | 258 | 181 | 2xM32x1.5 | AB 72 | 2 | 38 | 1 | 32 | |
| | MI160M | 350 | 833 | 950 | 334 | 310 | 199 | 2xM32x1.5 | A 97 | 1 | 42 | 1 | 32 | |
| | MI160L | 350 | 833 | 950 | 334 | 310 | 199 | 2xM32x1.5 | A 97 | 1 | 42 | 1 | 32 | |
| | MI180M | 350 | AA | AA | 334 | 348 | 246 | 2xM40x1.5 | AB 97 | 2 | 48 | 1 | 32 | |
| | MI180L | 350 | AA | AA | 334 | 348 | 246 | 2xM40x1.5 | AB 97 | 2 | 48 | 1 | 32 | |

* 这些尺寸可能因电机品牌的不同而有所差异。
它们适用于未配置辅助设备的电机。

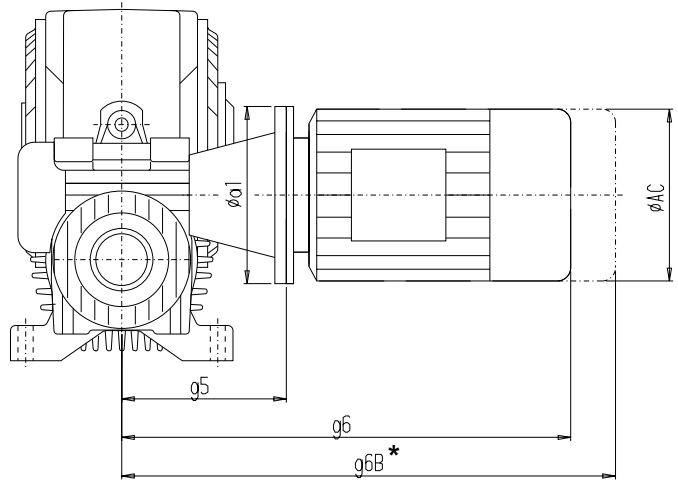
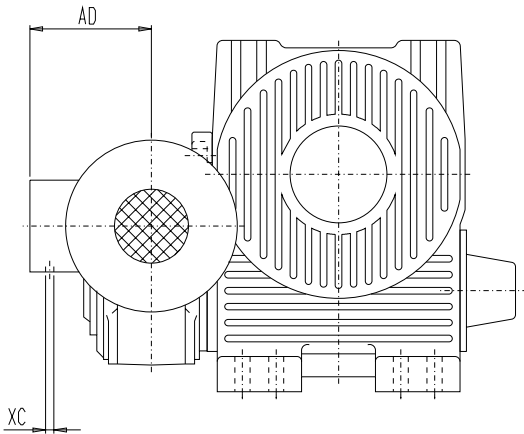
* The dimensions may vary depending on the motor manufacturer. They are valid for motors without auxiliary equipment.

AA 敬请垂询

AA on request

双级蜗轮蜗杆齿轮箱
IEC电机的安装

Tandem Worm Gear Units
Mounting of IEC Motors



| 齿轮箱规格 Gear unit size | IEC 标准电机, B5,V1或V3 安装 IEC standard motor type B5, V1 or V3 | | | | | | | | BIPEX 联轴器, 类型 BWN BIPEX coupling type BWN | | | | |
|-------------------------|---|-----|-------|-------|-----|-----|-------|-----------|--|----------------------------------|----|---------------------------------------|----|
| | 规格 Size | a1 | g6 | g6B | g5 | AC | AD | XC | 孔 / Bores | | | | |
| | | | | | | | | | 规格 Size | 在电机侧 Motor side 部件 Part | φ | 在齿轮箱侧 Gear unit side 部件 Part | φ |
| 250 | MI100L | 250 | 581 | 653 | 276 | 194 | 160 | 2xM25x1.5 | B 62 | 2 | 28 | 2 | 32 |
| | MI112M | 250 | 624.5 | 705.5 | 276 | 218 | 167.5 | 2xM25x1.5 | B 62 | 2 | 28 | 2 | 32 |
| | MI132S | 300 | 713.5 | 813.5 | 298 | 258 | 181 | 2xM32x1.5 | AB 72 | 2 | 38 | 1 | 32 |
| | MI132M | 300 | 713.5 | 813.5 | 298 | 258 | 181 | 2xM32x1.5 | AB 72 | 2 | 38 | 1 | 32 |
| | MI160M | 350 | 833 | 950 | 334 | 310 | 199 | 2xM32x1.5 | A 97 | 1 | 42 | 1 | 32 |
| | MI160L | 350 | 833 | 950 | 334 | 310 | 199 | 2xM32x1.5 | A 97 | 1 | 42 | 1 | 32 |
| | MI180M | 350 | AA | AA | 334 | 348 | 246 | 2xM40x1.5 | AB 97 | 2 | 48 | 1 | 32 |
| | MI180L | 350 | AA | AA | 334 | 348 | 246 | 2xM40x1.5 | AB 97 | 2 | 48 | 1 | 32 |
| 280 | MI100L | 250 | 608 | 680 | 303 | 194 | 160 | 2xM25x1.5 | AB 72 | 1 | 28 | 2 | 38 |
| | MI112M | 250 | 651.5 | 732.5 | 303 | 218 | 167.5 | 2xM25x1.5 | AB 72 | 1 | 28 | 2 | 38 |
| | MI132S | 300 | 738.5 | 838.5 | 323 | 258 | 181 | 2xM32x1.5 | B 72 | 2 | 38 | 2 | 38 |
| | MI132M | 300 | 738.5 | 838.5 | 323 | 258 | 181 | 2xM32x1.5 | B 72 | 2 | 38 | 2 | 38 |
| | MI160M | 350 | 858 | 975 | 359 | 310 | 199 | 2xM32x1.5 | A 97 | 1 | 42 | 1 | 38 |
| | MI160L | 350 | 858 | 975 | 359 | 310 | 199 | 2xM32x1.5 | A 97 | 1 | 42 | 1 | 38 |
| | MI180M | 350 | AA | AA | 359 | 348 | 246 | 2xM40x1.5 | AB 97 | 2 | 48 | 1 | 38 |
| | MI180L | 350 | AA | AA | 359 | 348 | 246 | 2xM40x1.5 | AB 97 | 2 | 48 | 1 | 38 |
| 315 | MI100L | 250 | 637 | 709 | 332 | 194 | 160 | 2xM25x1.5 | AB 72 | 1 | 28 | 2 | 42 |
| | MI112M | 250 | 680.5 | 761.5 | 332 | 218 | 167.5 | 2xM25x1.5 | AB 72 | 1 | 28 | 2 | 42 |
| | MI132S | 300 | 767.5 | 867.5 | 352 | 258 | 181 | 2xM32x1.5 | B 72 | 2 | 38 | 2 | 42 |
| | MI132M | 300 | 767.5 | 867.5 | 352 | 258 | 181 | 2xM32x1.5 | B 72 | 2 | 38 | 2 | 42 |
| | MI160M | 350 | 887 | 1004 | 388 | 310 | 199 | 2xM32x1.5 | A 97 | 1 | 42 | 1 | 42 |
| | MI160L | 350 | 887 | 1004 | 388 | 310 | 199 | 2xM32x1.5 | A 97 | 1 | 42 | 1 | 42 |
| | MI180M | 350 | AA | AA | 388 | 348 | 246 | 2xM40x1.5 | AB 97 | 2 | 48 | 1 | 42 |
| | MI180L | 350 | AA | AA | 388 | 348 | 246 | 2xM40x1.5 | AB 97 | 2 | 48 | 1 | 42 |
| | MI200L | 400 | AA | AA | 391 | 385 | 260 | 2xM50x1.5 | AB 112 | 2 | 55 | 1 | 42 |

* 这些尺寸可能因电机品牌的不同而有所差异。
它们适用于未配置辅助设备的电机。

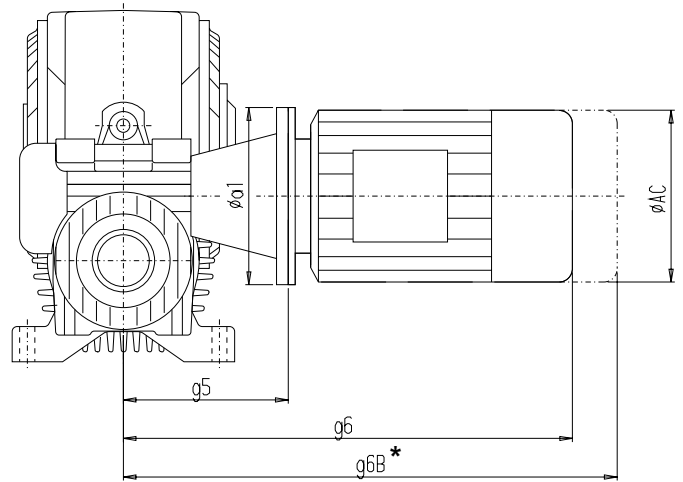
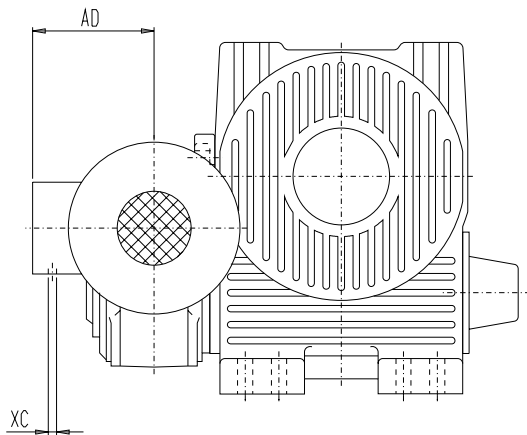
* The dimensions may vary depending on the motor manufacturer. They are valid for motors without auxiliary equipment.

AA 敬请垂询

AA on request

**双级蜗轮蜗杆齿轮箱
IEC 电机的安装**

**Tandem Worm Gear Units
Mounting of IEC Motors**



| 齿轮箱规格 Gear unit size | IEC 标准电机, B5,V1或V3 安装 IEC standard motor type B5, V1 or V3 | | | | | | | | BIPEX 联轴器, 类型 BWN BIPEX coupling type BWN | | | | |
|-------------------------|---|-----|------------|--------|-----|-----|-----|------------|--|---|-------------------------|---|----|
| | 规格 Size | a1 | g6 | g6B | g5 | AC | AD | XC | 孔 / Bores | | | | |
| | | | | | | | | | 在电机侧 Motor side | | 在齿轮箱侧 Gear unit side | | |
| 规格 Size | 部件 Part | φ | 部件 Part | φ | | | | | | | | | |
| 355 | MI132S | 300 | 801.5 | 901.5 | 386 | 258 | 181 | 2xM32x1.5 | AB 84 | 1 | 38 | 2 | 48 |
| | MI132M | 300 | 801.5 | 901.5 | 386 | 258 | 181 | 2xM32x1.5 | AB 84 | 1 | 38 | 2 | 48 |
| | MI160M | 350 | 918 | 1035 | 419 | 310 | 199 | 2xM32x1.5 | AB 97 | 1 | 42 | 2 | 48 |
| | MI160L | 350 | 918 | 1035 | 419 | 310 | 199 | 2xM32x1.5 | AB 97 | 1 | 42 | 2 | 48 |
| | MI180M | 350 | AA | AA | 419 | 348 | 246 | 2xM40x1.5 | B 97 | 2 | 48 | 2 | 48 |
| | MI180L | 350 | AA | AA | 419 | 348 | 246 | 2xM40x1.5 | B 97 | 2 | 48 | 2 | 48 |
| | MI200L | 400 | AA | AA | 422 | 385 | 260 | 2xM50x1.5 | AB 112 | 2 | 55 | 1 | 48 |
| | AM225S | 450 | 1199.5 | 1438.5 | 452 | 463 | 360 | 2xM50x1.5 | AB 127 | 2 | 60 | 1 | 48 |
| | AM225M | 450 | 1199.5 | 1438.5 | 452 | 463 | 360 | 2xM50x1.5 | AB 127 | 2 | 60 | 1 | 48 |
| 400 | MI132S | 300 | 835.5 | 935.5 | 420 | 258 | 181 | 2xM32x1.5 | AB 112 | 1 | 38 | 2 | 55 |
| | MI132M | 300 | 835.5 | 935.5 | 420 | 258 | 181 | 2xM32x1.5 | AB 112 | 1 | 38 | 2 | 55 |
| | MI160M | 350 | 949 | 1066 | 450 | 310 | 199 | 2xM32x1.5 | AB 112 | 1 | 42 | 2 | 55 |
| | MI160L | 350 | 949 | 1066 | 450 | 310 | 199 | 2xM32x1.5 | AB 112 | 1 | 42 | 2 | 55 |
| | MI180M | 350 | AA | AA | 450 | 348 | 246 | 2xM40x1.5 | AB 112 | 1 | 48 | 2 | 55 |
| | MI180L | 350 | AA | AA | 450 | 348 | 246 | 2xM40x1.5 | AB 112 | 1 | 48 | 2 | 55 |
| | MI200L | 400 | AA | AA | 450 | 385 | 260 | 2xM50x1.5 | B 112 | 2 | 55 | 2 | 55 |
| | AM225S | 450 | 1227.5 | 1466.5 | 480 | 463 | 360 | 2xM50x1.5 | AB 127 | 2 | 60 | 1 | 55 |
| | AM225M | 450 | 1227.5 | 1466.5 | 480 | 463 | 360 | 2xM50x1.5 | AB 127 | 2 | 60 | 1 | 55 |
| 450 | MI160M | 350 | 981 | 1098 | 482 | 310 | 199 | 2xM32x1.5 | AB 112 | 1 | 42 | 2 | 60 |
| | MI160L | 350 | 981 | 1098 | 482 | 310 | 199 | 2xM32x1.5 | AB 112 | 1 | 42 | 2 | 60 |
| | MI180M | 350 | AA | AA | 482 | 348 | 246 | 2xM40x1.5 | B 112 | 2 | 48 | 2 | 60 |
| | MI180L | 350 | AA | AA | 482 | 348 | 246 | 2xM40x1.5 | B 112 | 2 | 48 | 2 | 60 |
| | MI200L | 400 | AA | AA | 512 | 385 | 260 | 2xM50x1.5 | B 127 | 2 | 55 | 2 | 60 |
| | AM225S | 450 | 1259.5 | 1498.5 | 512 | 463 | 360 | 2xM50x1.5 | B 127 | 2 | 60 | 2 | 60 |
| | AM225M | 450 | 1259.5 | 1498.5 | 512 | 463 | 360 | 2xM50x1.5 | B 127 | 2 | 60 | 2 | 60 |
| | AM250M | 550 | 1343.5 | 1550.5 | 512 | 516 | 390 | 2xM163x1.5 | B 127 | 2 | 65 | 2 | 60 |

* 这些尺寸可能因电机品牌的不同而有所差异。
它们适用于未配置辅助设备的电机。

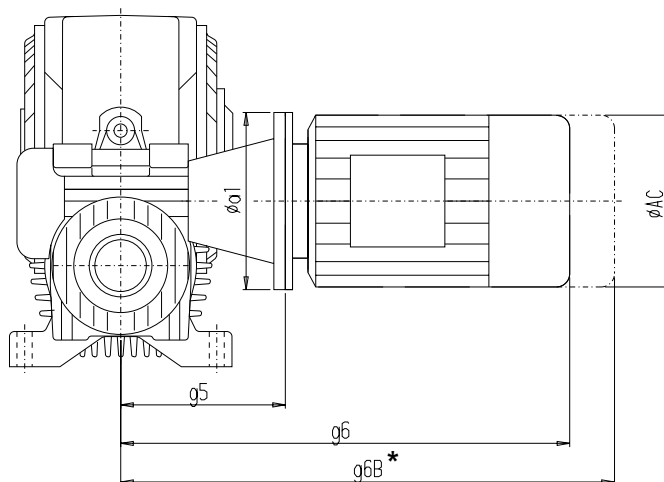
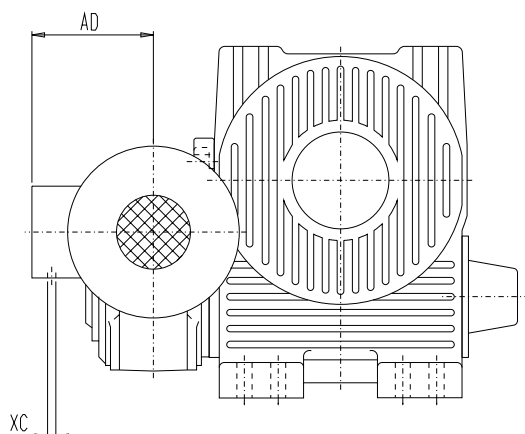
* The dimensions may vary depending on the motor manufacture. They are valid for motors without auxiliary equipment.

AA 敬请垂询

AA on request

双级蜗轮蜗杆齿轮箱
IEC电机的安装

Tandem Worm Gear Units
Mounting of IEC Motors



| 齿轮箱规格 Gear unit size | 规格 Size | IEC 标准电机, B5,V1或V3 安装 IEC standard motor type B5, V1 or V3 | | | | | | | BIPEX- 联轴器, 类型 BWN BIPEX coupling type BWN | | | | |
|-------------------------|------------|---|------------|--------|-----|-----|-----|------------|---|---|-------------------------|---|----|
| | | a1 | g6 | g6B | g5 | AC | AD | XC | 孔 / Bores | | | | |
| | | | | | | | | | 在电机侧 Motor side | | 在齿轮箱侧 Gear unit side | | |
| 规格 Size | 部件 Part | φ | 部件 Part | φ | | | | | | | | | |
| 500 | MI160M | 350 | 1011 | 1128 | 512 | 310 | 199 | 2xM32x1.5 | AB 127 | 1 | 42 | 2 | 65 |
| | MI160L | 350 | 1011 | 1128 | 512 | 310 | 199 | 2xM32x1.5 | AB 127 | 1 | 42 | 2 | 65 |
| | MI180M | 350 | AA | AA | 512 | 348 | 246 | 2xM40x1.5 | AB 127 | 1 | 48 | 2 | 65 |
| | MI180L | 350 | AA | AA | 512 | 348 | 246 | 2xM40x1.5 | AB 127 | 1 | 48 | 2 | 65 |
| | MI200L | 400 | AA | AA | 512 | 385 | 260 | 2xM50x1.5 | AB 127 | 1 | 55 | 2 | 65 |
| | AM225M | 450 | 1289.5 | 1528.5 | 542 | 463 | 360 | 2xM50x1.5 | B 127 | 2 | 60 | 2 | 65 |
| | AM250M | 550 | 1377.5 | 1584.5 | 546 | 516 | 390 | 2xMI63x1.5 | B 142 | 2 | 65 | 2 | 65 |
| | AM280S | 550 | 1423 | 1601 | 546 | 514 | 423 | 2xMI63x1.5 | B 142 | 2 | 75 | 2 | 65 |
| | AM280M | 550 | 1474 | 1652 | 546 | 514 | 423 | 2xMI63x1.5 | B 142 | 2 | 75 | 2 | 65 |
| 560 | MI180M | 350 | AA | AA | 569 | 348 | 246 | 2xM40x1.5 | AB 142 | 1 | 48 | 2 | 70 |
| | MI180L | 350 | AA | AA | 569 | 348 | 246 | 2xM40x1.5 | AB 142 | 1 | 48 | 2 | 70 |
| | MI200L | 400 | AA | AA | 569 | 385 | 260 | 2xM50x1.5 | AB 142 | 1 | 55 | 2 | 70 |
| | AM225S | 450 | 1346.5 | 1585.5 | 599 | 463 | 360 | 2xM50x1.5 | AB 142 | 1 | 60 | 2 | 70 |
| | AM225M | 450 | 1346.5 | 1585.5 | 599 | 463 | 360 | 2xM50x1.5 | AB 142 | 1 | 60 | 2 | 70 |
| | AM250M | 550 | 1430.5 | 1637.5 | 599 | 516 | 390 | 2xMI63x1.5 | B 142 | 2 | 65 | 2 | 70 |
| | AM280S | 550 | 1476 | 1654 | 599 | 514 | 423 | 2xMI63x1.5 | B 142 | 2 | 75 | 2 | 70 |
| | AM280M | 550 | 1527 | 1705 | 599 | 514 | 423 | 2xMI63x1.5 | B 142 | 2 | 75 | 2 | 70 |
| 630 | MI200L | 400 | AA | AA | 616 | 385 | 260 | 2xM50x1.5 | AB 142 | 1 | 55 | 2 | 75 |
| | AM225S | 450 | 1393.5 | 1632.5 | 646 | 463 | 360 | 2xM50x1.5 | AB 142 | 1 | 60 | 2 | 75 |
| | AM225M | 450 | 1393.5 | 1632.5 | 646 | 463 | 360 | 2xM50x1.5 | AB 142 | 1 | 60 | 2 | 75 |
| | AM250M | 550 | 1477.5 | 1684.5 | 646 | 516 | 390 | 2xMI63x1.5 | B 142 | 2 | 65 | 2 | 75 |
| | AM280S | 550 | 1523 | 1701 | 646 | 514 | 423 | 2xMI63x1.5 | B 142 | 2 | 75 | 2 | 75 |
| | AM280M | 550 | 1574 | 1752 | 646 | 514 | 423 | 2xMI63x1.5 | B 142 | 2 | 75 | 2 | 75 |
| | AM315S | 660 | 1635 | AA | 681 | 620 | 515 | 2xMI63x1.5 | B 142 | 2 | 80 | 2 | 75 |
| | AM315M | 660 | 1635 | AA | 681 | 620 | 515 | 2xMI63x1.5 | B 142 | 2 | 80 | 2 | 75 |
| | AM315L | 660 | 1755 | AA | 681 | 620 | 515 | 2xMI63x1.5 | B 142 | 2 | 80 | 2 | 75 |

* 这些尺寸可能因电机品牌的不同而有所差异。
它们适用于未配置辅助设备的电机。

* The dimensions may vary depending on the motor manufacturer. They are valid for motors without auxiliary equipment.

联轴器孔按ISO H7加工。
平键槽按照 DIN 6885 第1部分, 配置定位螺丝。

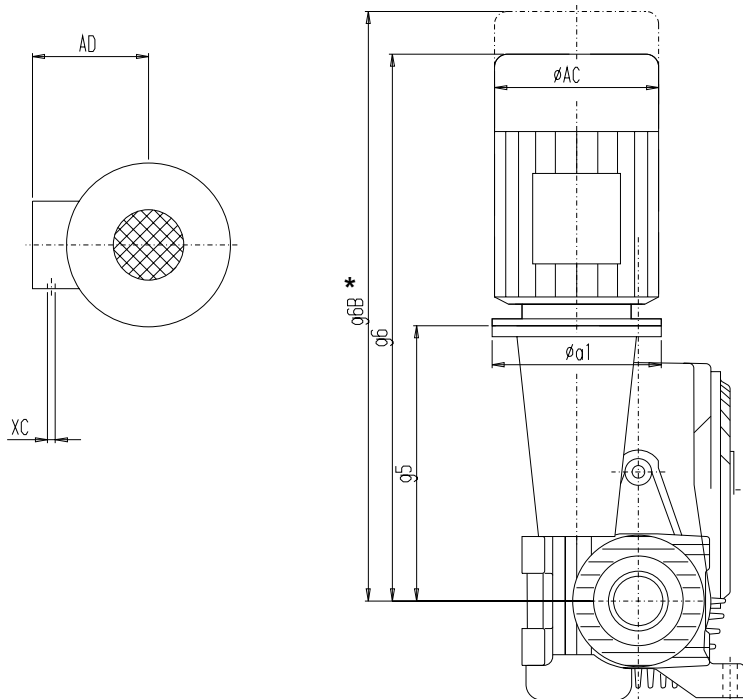
Couplings finish bored to ISO H7 limits.
Keyway acc. to DIN 6885 / 1 with set screw.

AA 敬请垂询

AA on request

双级蜗轮蜗杆齿轮箱
IEC电机的安装

Tandem Worm Gear Units
Mounting of IEC Motors



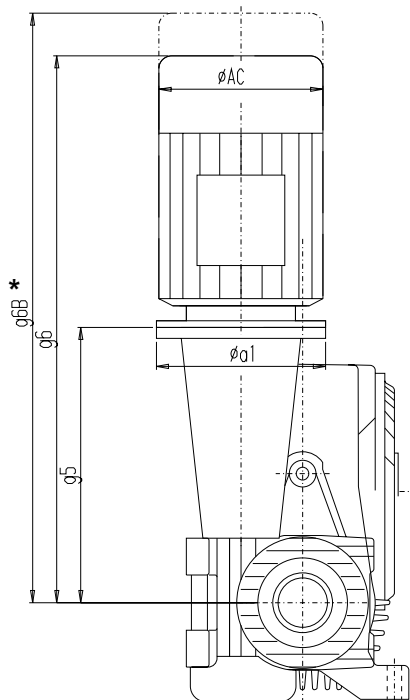
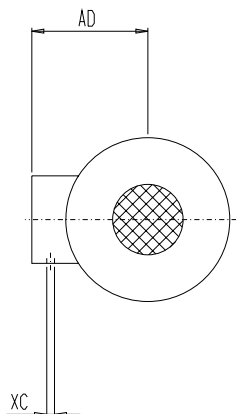
| 齿轮箱规格 Gear unit size | 规格 Size | IEC 标准电机, B5, V1 或 V3 安装 IEC standard motor type B5, V1 or V3 | | | | | | | N-EUPEX 联轴器, 类型 H N-EUPEX coupling type H | | | | |
|-------------------------|------------|--|-------|-------|-----|-----|-------|-----------|--|-----|--|---|--|
| | | a1 | g6 | g6B | g5 | AC | AD | XC | 规格 Size | Lz | 孔 / Bores | | |
| | | | | | | | | | | | 在电机侧 Motor side 部件 1 φ Part 1 φ | 在齿轮箱侧 Gear unit side 部件 5 φ Part 5 φ | |
| 100 | MI71 | 160 | 482.5 | 526.5 | 260 | 138 | 118.5 | 2xM20x1.5 | 80 | 87 | 14 | 18 | |
| | MI80 | 200 | 513.5 | 565.5 | 270 | 158 | 126.5 | 2xM20x1.5 | 80 | 87 | 19 | 18 | |
| | MI90S | 200 | 552 | 618 | 280 | 176 | 150 | 2xM25x1.5 | 80 | 87 | 24 | 18 | |
| | MI90L | 200 | 552 | 618 | 280 | 176 | 150 | 2xM25x1.5 | 80 | 87 | 24 | 18 | |
| | MI100L | 250 | 595 | 667 | 290 | 194 | 160 | 2xM25x1.5 | 80 | 87 | 28 | 18 | |
| | MI112M | 250 | 638.5 | 719.5 | 290 | 218 | 167.5 | 2xM25x1.5 | 80 | 87 | 28 | 18 | |
| 120 | MI71 | 160 | 482.5 | 526.5 | 260 | 138 | 118,5 | 2xM20x1.5 | 80 | 87 | 14 | 18 | |
| | MI80 | 200 | 513.5 | 565.5 | 270 | 158 | 126,5 | 2xM20x1.5 | 80 | 87 | 19 | 18 | |
| | MI90S | 200 | 552 | 618 | 280 | 176 | 150 | 2xM25x1.5 | 80 | 87 | 24 | 18 | |
| | MI90L | 200 | 552 | 618 | 280 | 176 | 150 | 2xM25x1.5 | 80 | 87 | 24 | 18 | |
| | MI100L | 250 | 595 | 667 | 290 | 194 | 160 | 2xM25x1.5 | 80 | 87 | 28 | 18 | |
| | MI112M | 250 | 638.5 | 719.5 | 290 | 218 | 167.5 | 2xM25x1.5 | 80 | 87 | 28 | 18 | |
| 140 | MI80 | 200 | 570.5 | 622.5 | 327 | 158 | 126.5 | 2xM20x1.5 | 80 | 127 | 19 | 22 | |
| | MI90S | 200 | 609 | 675 | 337 | 176 | 150 | 2xM25x1.5 | 80 | 127 | 24 | 22 | |
| | MI90L | 200 | 609 | 675 | 337 | 176 | 150 | 2xM25x1.5 | 80 | 127 | 24 | 22 | |
| | MI100L | 250 | 652 | 724 | 347 | 194 | 160 | 2xM25x1.5 | 80 | 127 | 28 | 22 | |
| | MI112M | 250 | 695.5 | 776.5 | 347 | 218 | 167.5 | 2xM25x1.5 | 80 | 127 | 28 | 22 | |
| | MI132S | 300 | 782.5 | 882.5 | 367 | 258 | 181 | 2xM32x1.5 | 95 | 127 | 38 | 22 | |
| | MI132M | 300 | 782.5 | 882.5 | 367 | 258 | 181 | 2xM32x1.5 | 95 | 127 | 38 | 22 | |

* 这些尺寸可能因电机品牌的不同而有所差异。它们适用于未配置辅助设备的电机。

* The dimensions may vary depending on the motor manufacture. They are valid for motors without auxiliary equipment.

双级蜗轮蜗杆齿轮箱
IEC电机的安装

Tandem Worm Gear Units
Mounting of IEC Motors



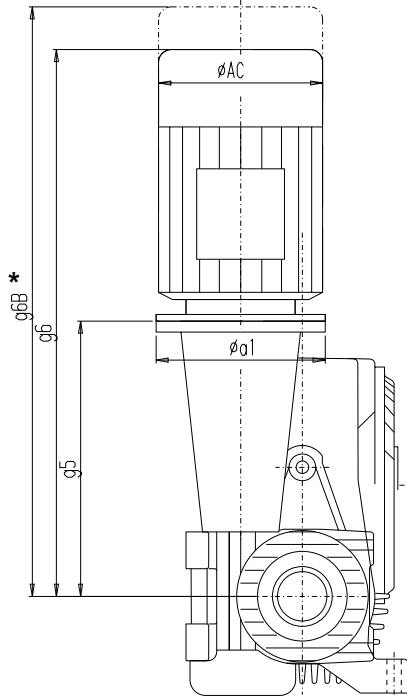
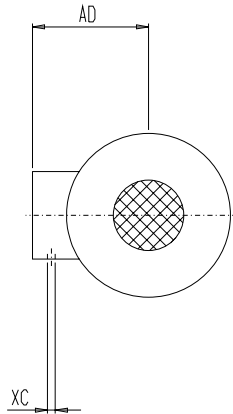
| 齿轮箱规格 Gear unit size | 规格 Size | IEC 标准电机, B5,V1或V3 安装 IEC standard motor type B5, V1 or V3 | | | | | | | N-EUPEX 联轴器, 类型 H N-EUPEX coupling type H | | | | |
|-------------------------|------------|---|-------|-------|-----|-----|-------|-----------|--|-----|--|---|--|
| | | a1 | g6 | g6B | g5 | AC | AD | XC | 规格 Size | Lz | 在电机侧 Motor side 部件 1 ϕ Part 1 ϕ | 在齿轮箱侧 Gear unit side 部件 5 ϕ Part 5 ϕ | |
| 160 | MI80 | 200 | 570,5 | 622,5 | 327 | 158 | 126,5 | 2xM20x1.5 | 80 | 127 | 19 | 22 | |
| | MI90S | 200 | 609 | 675 | 337 | 176 | 150 | 2xM25x1.5 | 80 | 127 | 24 | 22 | |
| | MI90L | 200 | 609 | 675 | 337 | 176 | 150 | 2xM25x1.5 | 80 | 127 | 24 | 22 | |
| | MI100L | 250 | 652 | 724 | 347 | 194 | 160 | 2xM25x1.5 | 80 | 127 | 28 | 22 | |
| | MI112M | 250 | 695.5 | 776.5 | 347 | 218 | 167.5 | 2xM25x1.5 | 80 | 127 | 28 | 22 | |
| | MI132S | 300 | 782.5 | 882.5 | 367 | 258 | 181 | 2xM32x1.5 | 95 | 127 | 38 | 22 | |
| | MI132M | 300 | 782.5 | 882.5 | 367 | 258 | 181 | 2xM32x1.5 | 95 | 127 | 38 | 22 | |
| 180 | MI90S | 200 | 591 | 657 | 319 | 176 | 150 | 2xM25x1.5 | 80 | 87 | 24 | 28 | |
| | MI90L | 200 | 591 | 657 | 319 | 176 | 150 | 2xM25x1.5 | 80 | 87 | 24 | 28 | |
| | MI100L | 250 | 731 | 803 | 426 | 194 | 160 | 2xM25x1.5 | 110 | 165 | 28 | 28 | |
| | MI112M | 250 | 774.5 | 855.5 | 426 | 218 | 167.5 | 2xM25x1.5 | 110 | 165 | 28 | 28 | |
| | MI132S | 300 | 859.5 | 959.5 | 444 | 258 | 181 | 2xM32x1.5 | 110 | 165 | 38 | 28 | |
| | MI132M | 300 | 859.5 | 959.5 | 444 | 258 | 181 | 2xM32x1.5 | 110 | 165 | 38 | 28 | |
| | MI160M | 350 | 973 | 1090 | 474 | 310 | 199 | 2xM32x1.5 | 110 | 165 | 42 | 28 | |
| 200 | MI160L | 350 | 973 | 1090 | 474 | 310 | 199 | 2xM32x1.5 | 110 | 165 | 42 | 28 | |
| | MI90S | 200 | 591 | 657 | 319 | 176 | 150 | 2xM25x1.5 | 80 | 87 | 24 | 28 | |
| | MI90L | 200 | 591 | 657 | 319 | 176 | 150 | 2xM25x1.5 | 80 | 87 | 24 | 28 | |
| | MI100L | 250 | 731 | 803 | 426 | 194 | 160 | 2xM25x1.5 | 110 | 165 | 28 | 28 | |
| | MI112M | 250 | 774.5 | 855.5 | 426 | 218 | 167.5 | 2xM25x1.5 | 110 | 165 | 28 | 28 | |
| | MI132S | 300 | 859.5 | 959.5 | 444 | 258 | 181 | 2xM32x1.5 | 110 | 165 | 38 | 28 | |
| | MI132M | 300 | 859.5 | 959.5 | 444 | 258 | 181 | 2xM32x1.5 | 110 | 165 | 38 | 28 | |

* 这些尺寸可能因电机品牌的不同而有所差异。
它们适用于未配置辅助设备的电机。

* The dimensions may vary depending on the motor manufacturer. They are valid for motors without auxiliary equipment.

双级蜗轮蜗杆齿轮箱
IEC电机的安装

Tandem Worm Gear Units
Mounting of IEC Motors



| 齿轮箱规格 Gear unit size | IEC 标准电机, B5, V1或V3 安装 IEC standard motor type B5, V1 or V3 | | | | | | | | N-EUPEX联轴器, 类型 H N-EUPEX coupling type H | | | |
|-------------------------|--|-----|-------|--------|-----|-----|-------|-----------|---|-----|--|---|
| | 规格 Size | a1 | g6 | g6B | g5 | AC | AD | XC | 规格 Size | Lz | 孔 / Bores | |
| | | | | | | | | | | | 在电机侧 Motor side 部件 1 ϕ Part 1 ϕ | 在齿轮箱侧 Gear unit side 部件 5 ϕ Part 5 ϕ |
| 225 | MI100L | 250 | 750 | 822 | 445 | 194 | 160 | 2xM25x1.5 | 110 | 165 | 28 | 32 |
| | MI112M | 250 | 793.5 | 874.5 | 445 | 218 | 167.5 | 2xM25x1.5 | 110 | 165 | 28 | 32 |
| | MI132S | 300 | 970.5 | 1070.5 | 555 | 258 | 181 | 2xM32x1.5 | 125 | 235 | 38 | 32 |
| | MI132M | 300 | 970.5 | 1070.5 | 555 | 258 | 181 | 2xM32x1.5 | 125 | 235 | 38 | 32 |
| | MI160M | 350 | 1084 | 1201 | 585 | 310 | 199 | 2xM32x1.5 | 125 | 235 | 42 | 32 |
| | MI160L | 350 | 1084 | 1201 | 585 | 310 | 199 | 2xM32x1.5 | 125 | 235 | 42 | 32 |
| | MI180M | 350 | AA | AA | 585 | 348 | 246 | 2xM40X1.5 | 125 | 235 | 48 | 32 |
| | MI180L | 350 | AA | AA | 585 | 348 | 246 | 2xM40X1.5 | 125 | 235 | 48 | 32 |
| 250 | MI100L | 250 | 750 | 822 | 445 | 194 | 160 | 2xM25x1.5 | 110 | 165 | 28 | 32 |
| | MI112M | 250 | 793.5 | 874.5 | 445 | 218 | 167.5 | 2xM25x1.5 | 110 | 165 | 28 | 32 |
| | MI132S | 300 | 970.5 | 1070.5 | 555 | 258 | 181 | 2xM32x1.5 | 125 | 235 | 38 | 32 |
| | MI132M | 300 | 970.5 | 1070.5 | 555 | 258 | 181 | 2xM32x1.5 | 125 | 235 | 38 | 32 |
| | MI160M | 350 | 1084 | 1201 | 585 | 310 | 199 | 2xM32x1.5 | 125 | 235 | 42 | 32 |
| | MI160L | 350 | 1084 | 1201 | 585 | 310 | 199 | 2xM32x1.5 | 125 | 235 | 42 | 32 |
| | MI180M | 350 | AA | AA | 585 | 348 | 246 | 2xM40X1.5 | 125 | 235 | 48 | 32 |
| | MI180L | 350 | AA | AA | 585 | 348 | 246 | 2xM40X1.5 | 125 | 235 | 48 | 32 |
| 280 | MI100L | 250 | 715 | 787 | 410 | 194 | 160 | 2xM25x1.5 | 95 | 127 | 28 | 38 |
| | MI112M | 250 | 758.5 | 839.5 | 410 | 218 | 167.5 | 2xM25x1.5 | 95 | 127 | 28 | 38 |
| | MI132S | 300 | 900.5 | 1000.5 | 485 | 258 | 181 | 2xM32x1.5 | 110 | 165 | 38 | 38 |
| | MI132M | 300 | 900.5 | 1000.5 | 485 | 258 | 181 | 2xM32x1.5 | 110 | 165 | 38 | 38 |
| | MI160M | 350 | 1104 | 1221 | 605 | 310 | 199 | 2xM32x1.5 | 125 | 235 | 42 | 38 |
| | MI160L | 350 | 1104 | 1221 | 605 | 310 | 199 | 2xM32x1.5 | 125 | 235 | 42 | 38 |
| | MI180M | 350 | AA | AA | 605 | 348 | 246 | 2xM40X1.5 | 125 | 235 | 48 | 38 |
| | MI180L | 350 | AA | AA | 605 | 348 | 246 | 2xM40X1.5 | 125 | 235 | 48 | 38 |

* 这些尺寸可能因电机品牌的不同而有所差异。
它们适用于未配置辅助设备的电机。

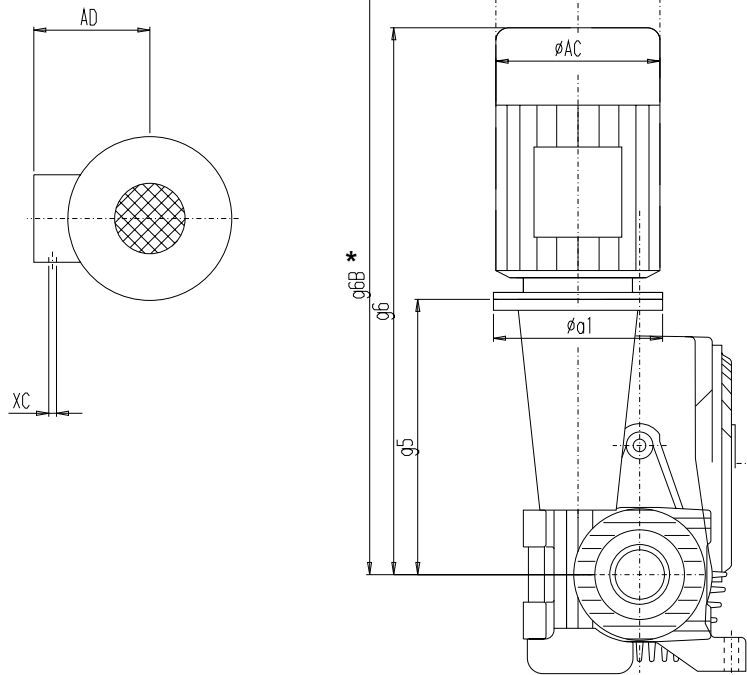
* The dimensions may vary depending on the motor manufacture.
They are valid for motors without auxiliary equipment.

AA 敬请垂询

AA on request

双级蜗轮蜗杆齿轮箱
IEC电机的安装

Tandem Worm Gear Units
Mounting of IEC Motors



| 齿轮箱规格 Gear unit size | 规格 Size | IEC 标准电机, B5,V1或V3 安装 IEC standard motor type B5, V1 or V3 | | | | | | | N-EUPEX联轴器, 类型 H N-EUPEX coupling type H | | | | |
|-------------------------|------------|---|-------|--------|-----|-----|-------|-----------|---|-----|--|---|--|
| | | a1 | g6 | g6B | g5 | AC | AD | XC | 规格 Size | Lz | 孔 / Bores | | |
| | | | | | | | | | | | 在电机侧 Motor side 部件 1 φ Part 1 φ | 在齿轮箱侧 Gear unit side 部件 5 φ Part 5 φ | |
| 315 | MI100L | 250 | 734 | 806 | 429 | 194 | 160 | 2xM25x1.5 | 95 | 127 | 28 | 42 | |
| | MI112M | 250 | 777,5 | 858,5 | 429 | 218 | 167,5 | 2xM25x1.5 | 95 | 127 | 28 | 42 | |
| | MI132S | 300 | 919,5 | 1019,5 | 504 | 258 | 181 | 2xM32x1.5 | 110 | 165 | 38 | 42 | |
| | MI132M | 300 | 919,5 | 1019,5 | 504 | 258 | 181 | 2xM32x1.5 | 110 | 165 | 38 | 42 | |
| | MI160M | 350 | 1193 | 1310 | 694 | 310 | 199 | 2xM32x1.5 | 125** | 285 | 42 | 42 | |
| | MI160L | 350 | 1193 | 1310 | 694 | 310 | 199 | 2xM32x1.5 | 125** | 285 | 42 | 42 | |
| | MI180M | 350 | AA | AA | 694 | 348 | 246 | 2xM40x1.5 | 125** | 285 | 48 | 42 | |
| | MI180L | 350 | AA | AA | 694 | 348 | 246 | 2xM40x1.5 | 125** | 285 | 48 | 42 | |
| | MI200L | 400 | AA | AA | 694 | 385 | 260 | 2xM50x1.5 | 140** | 282 | 55 | 42 | |
| 355 | MI132S | 300 | 940,5 | 1040,5 | 525 | 258 | 181 | 2xM32x1.5 | 110 | 165 | 38 | 48 | |
| | MI132M | 300 | 940,5 | 1040,5 | 525 | 258 | 181 | 2xM32x1.5 | 110 | 165 | 38 | 48 | |
| | MI160M | 350 | 1144 | 1261 | 645 | 310 | 199 | 2xM32x1.5 | 125 | 235 | 42 | 48 | |
| | MI160L | 350 | 1144 | 1261 | 645 | 310 | 199 | 2xM32x1.5 | 125 | 235 | 42 | 48 | |
| | MI180M | 350 | AA | AA | 645 | 348 | 246 | 2xM40x1.5 | 125 | 235 | 48 | 48 | |
| | MI180L | 350 | AA | AA | 645 | 348 | 246 | 2xM40x1.5 | 125 | 235 | 48 | 48 | |
| 400 | MI132S | 300 | 988,5 | 1088,5 | 573 | 258 | 181 | 2xM32x1.5 | 125 | 185 | 38 | 55 | |
| | MI132M | 300 | 988,5 | 1088,5 | 573 | 258 | 181 | 2xM32x1.5 | 125 | 185 | 38 | 55 | |
| | MI160M | 350 | 1162 | 1279 | 663 | 310 | 199 | 2xM32x1.5 | 125 | 235 | 42 | 55 | |
| | MI160L | 350 | 1162 | 1279 | 663 | 310 | 199 | 2xM32x1.5 | 125 | 235 | 42 | 55 | |
| | MI180M | 350 | AA | AA | 663 | 348 | 246 | 2xM40x1.5 | 125 | 235 | 48 | 55 | |
| | MI180L | 350 | AA | AA | 663 | 348 | 246 | 2xM40x1.5 | 125 | 235 | 48 | 55 | |
| | MI200L | 400 | AA | AA | 733 | 385 | 260 | 2xM50x1.5 | 140** | 282 | 55 | 55 | |

* 这些尺寸可能因电机品牌的不同而有所差异。
它们适用于未配置辅助设备的电机。

** 轮毂长度 $l_2 = 100\text{mm}$ 。

联轴器按ISO H7加工。
平键槽按照 DIN 6885 第 1 部分, 配置定位螺丝。

AA 敬请垂询

* The dimensions may vary depending on the motor manufacture. They are valid for motors without auxiliary equipment.

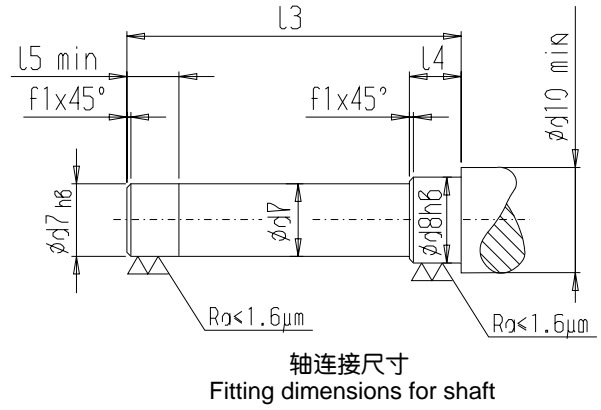
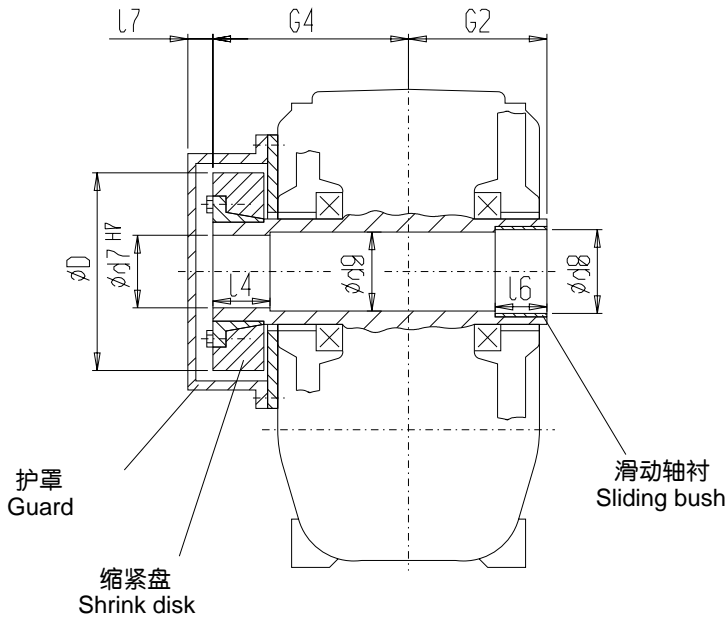
** Hub length $l_2 = 100\text{mm}$.

Couplings finish bored to ISO H7 limits.
Keyway acc. to DIN 6885 / 1 with set screw.

AA on request

双级蜗轮蜗杆齿轮箱
配置缩紧盘

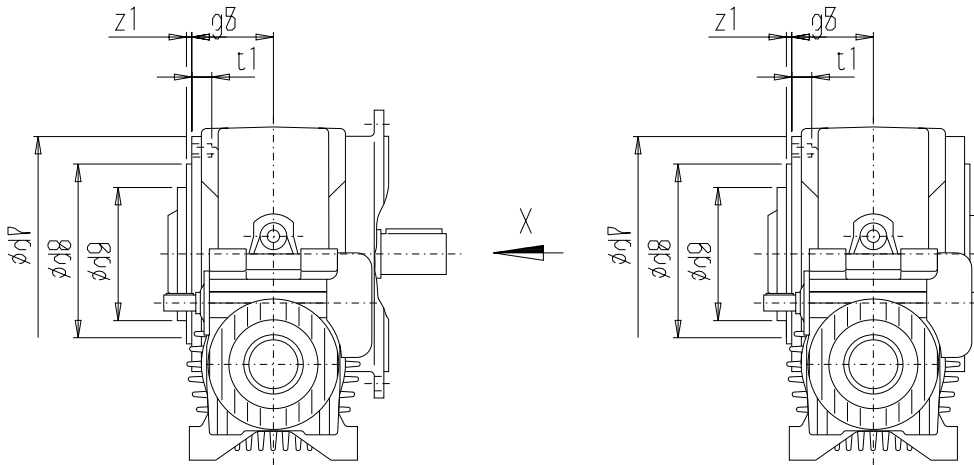
Tandem Worm Gear Units
with shrink disks



| 规格 Size | 缩紧盘 / Shrink disk | | d7 | d8 | d9 | d10 | f1 | G2 | G4 | I3 | I4 | I5 | I6 | I7 | |
|------------|-------------------|---------------------------|-----|-----|-----|-----|-----|-----|-----|-----|-----|-----|-----|-----|----|
| | 型号 / Type | T _{2max} [Nm] | | | | | | | | | | | | | D |
| 63 | HSD 36 - 32 | 630 | 72 | 28 | 30 | 30 | 37 | 1 | 65 | 95 | 160 | 21 | 24 | 25 | 13 |
| 80 | HSD 50 - 32 | 1400 | 90 | 39 | 40 | 40 | 48 | 0,5 | 80 | 112 | 192 | 25 | 28 | 30 | 13 |
| 100 | HSD 68 - 32 | 2200 | 115 | 50 | 55 | 51 | 64 | 1 | 93 | 129 | 222 | 27 | 30 | 30 | 14 |
| 120 | HSD 80 - 32 | 4600 | 141 | 60 | 65 | 61 | 75 | 1 | 106 | 144 | 250 | 29 | 32 | 32 | 16 |
| 140 | HSD 90 - 32 | 6400 | 155 | 65 | 70 | 66 | 80 | 2 | 118 | 166 | 284 | 35 | 38 | 40 | 16 |
| 160 | HSD 100 - 32 | 9700 | 170 | 75 | 80 | 77 | 90 | 2 | 132 | 184 | 316 | 40 | 43 | 45 | 16 |
| 180 | HSD 110 - 32 | 14000 | 185 | 85 | 90 | 87 | 100 | 2 | 144 | 202 | 346 | 45 | 48 | 50 | 18 |
| 200 | HSD 125 - 32 | 21200 | 215 | 95 | 100 | 97 | 110 | 2 | 155 | 216 | 371 | 48 | 51 | 50 | 19 |
| 225 | HSD 140 - 32 | 29800 | 230 | 105 | 110 | 107 | 120 | 2 | 170 | 238 | 408 | 53 | 56 | 60 | 20 |
| 250 | HSD 155 - 32 | 40000 | 263 | 115 | 120 | 117 | 130 | 2 | 185 | 257 | 442 | 57 | 60 | 60 | 20 |
| 280 | HSD 165 - 32 | 51000 | 290 | 125 | 130 | 127 | 140 | 2 | 200 | 280 | 480 | 63 | 66 | 65 | 22 |
| 315 | HSD 185 - 32 | 79000 | 320 | 140 | 150 | 142 | 160 | 2 | 220 | 317 | 537 | 78 | 82 | 80 | 23 |
| 355 | HSD 200 - 32 | 95000 | 340 | 155 | 160 | 157 | 170 | 2 | 242 | 340 | 582 | 78 | 82 | 80 | AA |
| 400 | HSD 240 - 32 | 148000 | 405 | 175 | 180 | 177 | 190 | 2 | 265 | 385 | 650 | 98 | 102 | 100 | |
| 450 | HSD 260 - 32 | 215000 | 430 | 200 | 205 | 202 | 215 | 2 | 292 | 425 | 717 | 112 | 116 | 120 | |
| 500 | HSD 280 - 32 | 279000 | 460 | 220 | 225 | 222 | 235 | 2 | 320 | 467 | 787 | 125 | 130 | 135 | |
| 560 | HSD 320 - 32 | 346000 | 520 | 240 | 245 | 242 | 255 | 2 | 352 | 507 | 859 | 134 | 140 | 145 | |
| 630 | HSD 340 - 32 | 489000 | 570 | 270 | 275 | 272 | 285 | 2 | 388 | 558 | 946 | 148 | 155 | 160 | |

双级蜗轮蜗杆齿轮箱
配置附加的法兰面

Tandem Worm Gear Units
with additional flange surface



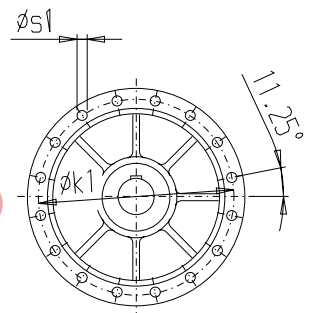
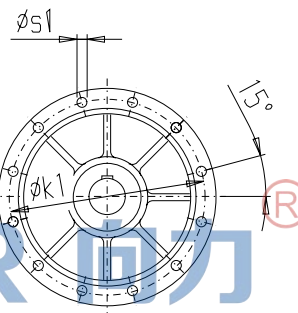
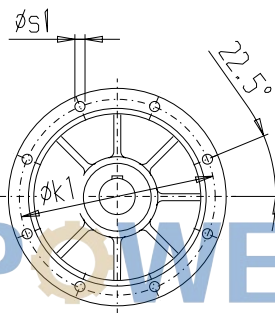
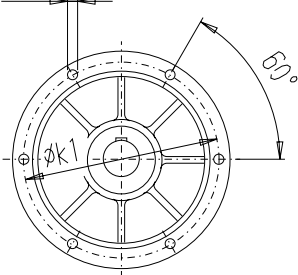
规格 / Size 63

80 - 200

225 - 400

450 - 630

X: $\phi s1$



| 规格 Size | g5 | d7 | d8 | d9 | k1 | s1 | t1 | z1 |
|------------|-----|------|------|------|------|-----|----|-----|
| 63 | 51 | 145 | 110 | 86 | 130 | M8 | 12 | 3 |
| 80 | 62 | 175 | 140 | 110 | 160 | M8 | 14 | 3.5 |
| 100 | 75 | 217 | 175 | 140 | 197 | M10 | 17 | 3.5 |
| 120 | 86 | 258 | 210 | 175 | 235 | M12 | 19 | 4 |
| 140 | 97 | 302 | 250 | 210 | 275 | M12 | 19 | 4 |
| 160 | 108 | 338 | 280 | 240 | 311 | M16 | 24 | 4 |
| 180 | 117 | 379 | 320 | 275 | 350 | M16 | 24 | 5 |
| 200 | 125 | 416 | 355 | 310 | 387 | M16 | 24 | 5 |
| 225 | 138 | 462 | 400 | 355 | 432 | M16 | 24 | 5 |
| 250 | 150 | 510 | 450 | 400 | 480 | M16 | 24 | 5 |
| 280 | 164 | 574 | 495 | 445 | 538 | M20 | 29 | 6 |
| 315 | 180 | 638 | 560 | 510 | 602 | M20 | 29 | 6 |
| 355 | 200 | 720 | 635 | 580 | 680 | M24 | 39 | AA |
| 400 | 222 | 804 | 715 | 660 | 762 | M24 | 39 | |
| 450 | 246 | 906 | 810 | 750 | 860 | M24 | 39 | |
| 500 | 271 | 1014 | 900 | 840 | 960 | M30 | 46 | |
| 560 | 298 | 1126 | 1010 | 940 | 1070 | M30 | 46 | |
| 630 | 332 | 1258 | 1140 | 1070 | 1200 | M30 | 46 | |

通过安装附加法兰可以达到标准的法兰尺寸(齿轮箱对称)

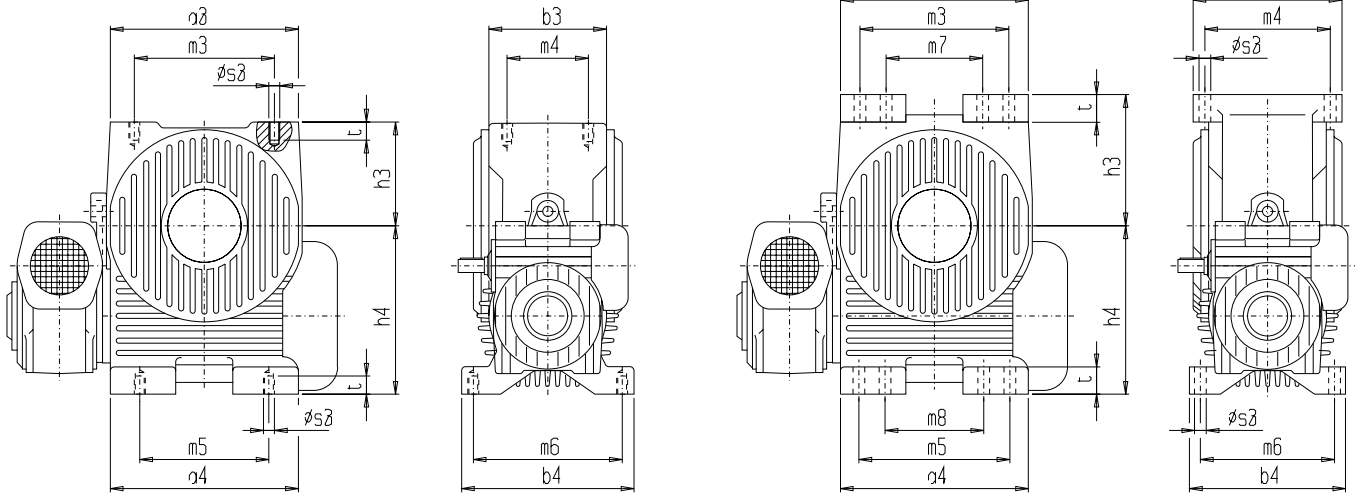
By fitting additional ring flanges, normal flange dimensions can be obtained (symmetrical gear housing).

双级蜗轮蜗杆齿轮箱
配置附加的安装面

Tandem Worm Gear Units
with additional mounting surface

规格 / Size 100 - 400

规格 / Size 450 - 630



| 规格 Size | 安装面 / Mounting surface a3 x b3 | | | | | | | | 安装面 / Mounting surface a4x b4 | | | | | | | |
|------------|--------------------------------|-----|-----|------|-----|-----|-----|-----|-------------------------------|-----|------|------|-------|-----|------|----|
| | a3 | b3 | h3 | m3 | m4 | m7 | s3 | t | a4 | b4 | h4 | m5 | m6 | m8 | s3 | t |
| 100 | 216 | 131 | 115 | 163 | 105 | - | M12 | 23 | 216 | 160 | 190 | 170 | 133 | - | M 12 | 23 |
| 120 | 254 | 155 | 135 | 190 | 125 | - | M16 | 25 | 254 | 183 | 225 | 194 | 151.5 | - | M 16 | 25 |
| 140 | 290 | 172 | 156 | 220 | 140 | - | M16 | 26 | 290 | 204 | 255 | 220 | 172 | - | M 16 | 26 |
| 160 | 324 | 189 | 177 | 245 | 155 | - | M16 | 27 | 324 | 223 | 290 | 240 | 187.5 | - | M 16 | 27 |
| 180 | 364 | 210 | 197 | 275 | 170 | - | M20 | 30 | 364 | 245 | 320 | 268 | 209.5 | - | M 20 | 30 |
| 200 | 396 | 222 | 217 | 300 | 182 | - | M20 | 31 | 396 | 260 | 350 | 280 | 219 | - | M 20 | 31 |
| 225 | 440 | 246 | 242 | 335 | 200 | - | M24 | 38 | 440 | 280 | 390 | 300 | 234.5 | - | M 24 | 38 |
| 250 | 480 | 266 | 267 | 370 | 220 | - | M24 | 40 | 480 | 305 | 430 | 340 | 265.5 | - | M 24 | 40 |
| 280 | 525 | 296 | 298 | 400 | 240 | - | M30 | 45 | 525 | 345 | 480 | 430 | 290 | - | M 30 | 45 |
| 315 | 590 | 325 | 331 | 450 | 265 | - | M30 | 45 | 590 | 370 | 530 | 480 | 310 | - | M 30 | 45 |
| 355 | 665 | 363 | 373 | 510 | 295 | - | M36 | 55 | 665 | 415 | 595 | 540 | 350 | - | M 36 | AA |
| 400 | 748 | 403 | 416 | 570 | 335 | - | M36 | 55 | 748 | 445 | 660 | 605 | 375 | - | M 36 | |
| 450 | 855 | 562 | 530 | 750 | 495 | 560 | 35 | 92 | 855 | 562 | 740 | 750 | 495 | 560 | 35 | |
| 500 | 955 | 616 | 595 | 840 | 540 | 630 | 42 | 100 | 955 | 616 | 815 | 840 | 540 | 630 | 42 | |
| 560 | 1050 | 678 | 650 | 920 | 600 | 700 | 42 | 110 | 1050 | 678 | 910 | 920 | 600 | 700 | 42 | |
| 630 | 1175 | 750 | 730 | 1030 | 660 | 780 | 48 | 120 | 1175 | 750 | 1015 | 1030 | 660 | 780 | 48 | |

安装位置

输出轴在A侧或B侧或者在两侧

安装位置 SU, SO, SR, SL, VO 或VU

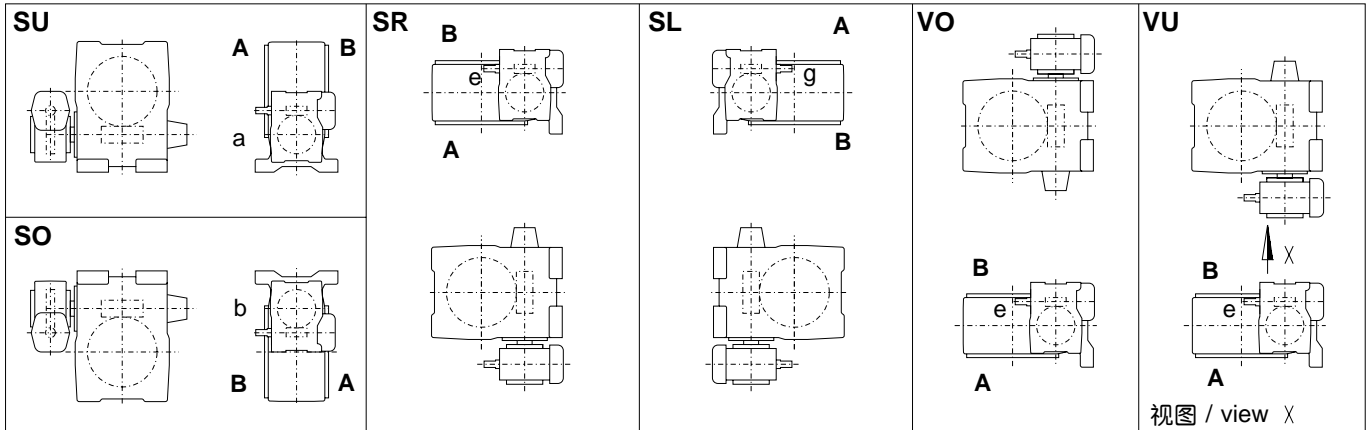
Mounting positions

Output shaft on side A, B or both sides

Mounting positions SU, SO, SR, SL, VO or VU

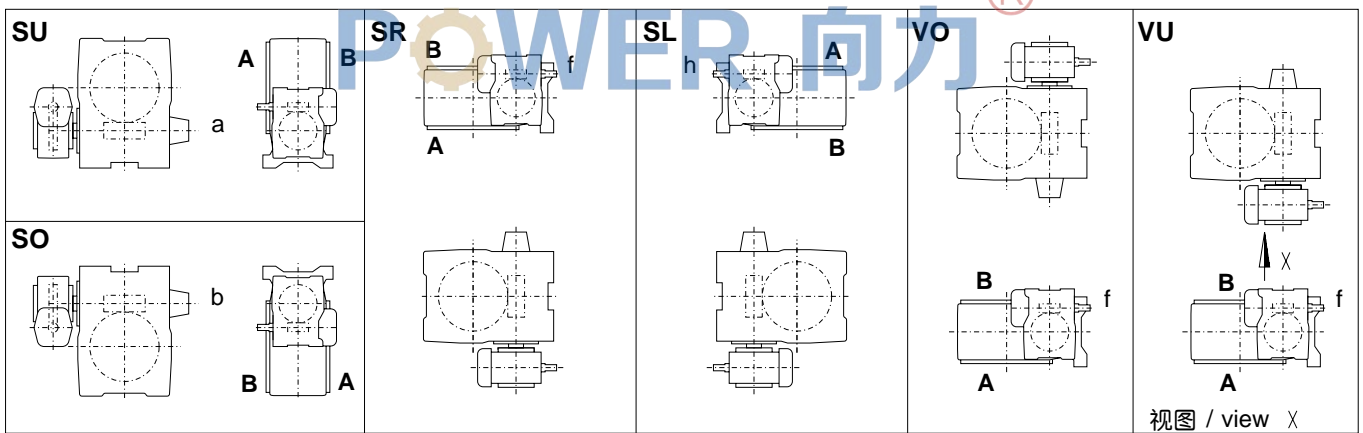
双级蜗轮蜗杆齿轮箱 CDUW 和 CDUA

Double Worm Gear Units CDUW and CDUA



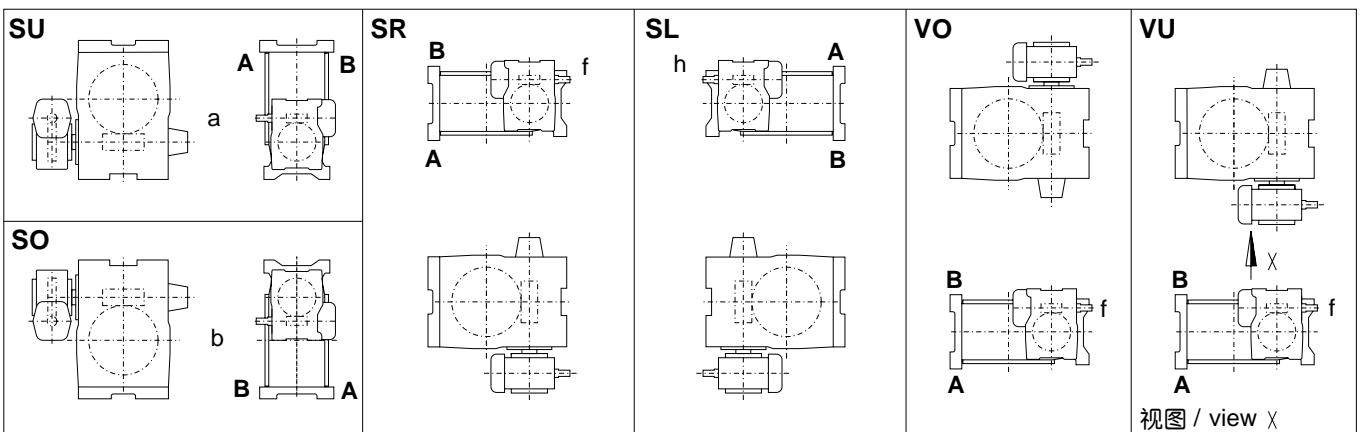
双级蜗轮蜗杆齿轮箱 CDFW, CDDA 和 CDFA

Double Worm Gear Units CDFW, CDDA and CDFA



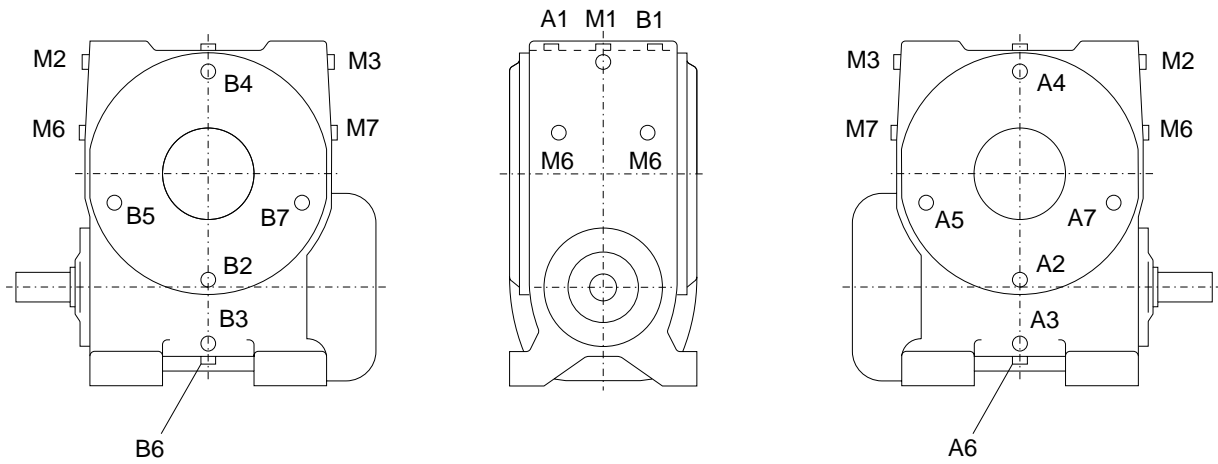
双级蜗轮蜗杆齿轮箱 CDOW 和 CDOA

Double Worm Gear Units CDOW and CDOA



双级蜗轮蜗杆齿轮箱，主齿轮箱
透气孔，油位孔，排油孔

Double Worm Gear Units Main Gear Unit
Vent, oil level and oil drain



| 规格 / Size | 63 | 80 | 100 | 120 | 140/160 | 180/200 | 225/250 | 280/315 | 355/400 | 450/500 | 560/630 |
|-----------|----|----|-----|-----|---------|---------|---------|---------|---------|---------|---------|
| X [mm] | 60 | 70 | 82 | 95 | 110 | 135 | 160 | 190 | 210 | 240 | 280 |

在蜗杆轴垂直安装时在齿轮箱M6 和 M7 的上方应备有尺寸为 X 的自由空间。

For vertical worm shaft arrangement, a space of dimension X must be left above the gear unit at M6 or M7.

M6 的位置与安装位置和输出侧相关。

Position M6 is depending on the mounting position and the side of the output shaft.



| 类型 Type | 在哪侧输出 Output on side | 安装位置 / Mounting positions | | | | | | | | | | | | | | | | | |
|---------------------------------|-------------------------|---------------------------|------------------|----|----|----|----|----|------|----|----|------|----|----|----|----|----|----|----|
| | | SU | | | SO | | | SR | | | SL | | | VO | | | VU | | |
| | | ○ | ⊗ | ● | ○ | ⊗ | ● | ○ | ⊗ | ● | ○ | ⊗ | ● | ○ | ⊗ | ● | ○ | ⊗ | ● |
| CUW CUA | A | A1 | B2 ¹⁾ | B3 | B3 | B2 | A1 | B4 | M1 | A1 | A1 | M1 | B4 | M6 | B5 | M7 | M7 | B7 | M6 |
| | B / 两侧 on both sides | B1 | A2 ¹⁾ | A3 | A3 | A2 | B1 | B1 | M1 | A4 | A4 | M1 | B1 | M6 | A7 | M7 | M7 | A5 | M6 |
| COW COA | A | B4 | B2 ¹⁾ | B6 | B6 | B2 | B4 | B4 | M2/3 | A4 | A4 | M2/3 | B4 | M6 | B5 | M7 | M7 | B7 | M6 |
| | B / 两侧 on both sides | A4 | A2 ¹⁾ | A6 | A6 | A2 | A4 | B4 | M2/3 | A4 | A4 | M2/3 | B4 | M6 | A7 | M7 | M7 | A5 | M6 |
| CFW ²⁾ CFA CDA | A | A1 | B2 ¹⁾ | B6 | B6 | B2 | A1 | B4 | M1 | A1 | A1 | M1 | B4 | M6 | B5 | M7 | M7 | B7 | M6 |
| | B / 两侧 on both sides | B1 | A2 ¹⁾ | A6 | A6 | A2 | B1 | B1 | M1 | A4 | A4 | M1 | B1 | M6 | A7 | M7 | M7 | A5 | M6 |

○ 透气孔位置

○ Location of vent

⊗ 油位孔位置

⊗ Location of oil level

● 排油孔位置

● Location of oil drain

1) 对规格 63 和 80 : B5 取代 B2 以及 A5 取代 A2

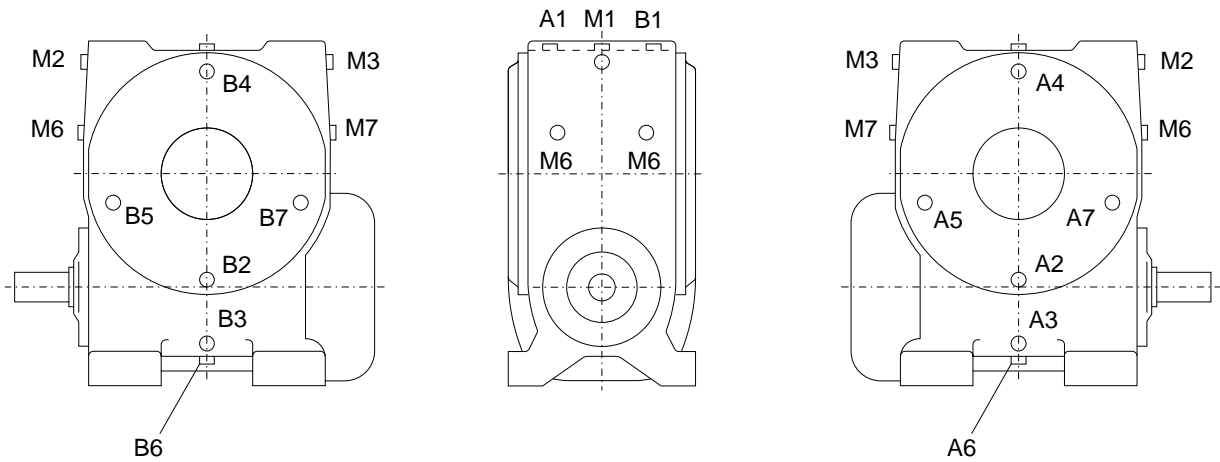
1) For sizes 63 and 80: B5 instead of B2, and A5 instead of A2

2) 对类型 CDFW 上法兰作为输出端。

2) For type CDFW, the flange is designed as output.

双级蜗轮蜗杆齿轮箱，第一级齿轮箱
透气孔，油位孔，排油孔

Double Worm Gear Units Primary Gear Unit
Vent, oil level and oil drain



| 规格 / Size | 100 / 120 | 140/160 | 180/200 | 225/250 | 280/315 | 355/400 | 450/500 | 560/630 |
|-----------|-----------|---------|---------|---------|---------|---------|---------|---------|
| X [mm] | 60 | 70 | 82 | 95 | 110 | 135 | 160 | 190 |

在蜗杆轴垂直安装时在齿轮箱 M6 和 M7 的上方应备有尺寸为 X 的自由空间。

For vertical worm shaft arrangement, a space of dimension X must be left above the gear unit at M6 or M7.

M6 的位置与安装位置和输出侧相关。

Position M6 is depending on the mounting position and the side of the output shaft.



在第一级齿轮箱上 / on primary gear stage
安装位置 (主齿轮箱) / Mounting position (main gear stage)

| 输入轴在 哪部位 Input shaft in position | SU | | | SO | | | SR | | | SL | | | VO | | | VU | | |
|---|----|------------------|----|-----------------|------------------|----|----|------------------|----|----|------------------|----|-----------------|----|-----------------|----|----|----|
| | ○ | ⊗ | ● | ○ | ⊗ | ● | ○ | ⊗ | ● | ○ | ⊗ | ● | ○ ³⁾ | ⊗ | ● ³⁾ | ○ | ⊗ | ● |
| a | A6 | A2 | B1 | B1 | A2 ¹⁾ | A6 | M7 | A5 | M6 | M6 | A7 | M7 | A4 | M1 | B1 | B1 | M1 | A4 |
| b | B6 | B2 | A1 | A1 | B2 ¹⁾ | B6 | M6 | B5 | M7 | M7 | B7 | M6 | B4 | M1 | A1 | A1 | M1 | B4 |
| c | A1 | B2 ¹⁾ | B6 | B6 | B2 | A1 | M7 | B7 | M6 | M6 | B5 | M7 | B4 | M1 | A1 | A1 | M1 | B4 |
| d | B1 | A2 ¹⁾ | A6 | A6 | A2 | B1 | M6 | A7 | M7 | M7 | A5 | M6 | A4 | M1 | B1 | B1 | M1 | A4 |
| e | M6 | A7 | M7 | M7 | A5 | M6 | A6 | A2 | B1 | B1 | A2 ¹⁾ | A6 | A4 | M1 | B1 | B1 | M1 | A4 |
| f | M7 | B7 | M6 | M6 [^] | B5 | M7 | B6 | B2 | A1 | A1 | B2 ¹⁾ | B6 | B4 | M1 | A1 | A1 | M1 | B4 |
| g | M6 | B5 | M7 | M7 | B7 | M6 | A1 | B2 ¹⁾ | B6 | B6 | B2 | A1 | B4 | M1 | A1 | A1 | M1 | B4 |
| h | M7 | A5 | M6 | M6 | A7 | M7 | B1 | A2 ¹⁾ | A6 | A6 | A2 | B1 | A4 | M1 | B1 | B1 | M1 | A4 |

○ 透气孔位置

○ Location of vent

⊗ 油位孔位置

⊗ Location of oil level

● 排油孔位置

● Location of oil drain

1) 在规格 100-160 上: B5 取代 B2 以及 A5 取代 A2

1) For sizes 100 - 160: B5 instead of B2, and A5 instead of A2

与单级类型后两个字相同的主齿轮箱的数据见第 2 - 53 页。

For the main gear stages, the data for single stage types with the same two ending letters apply, see page 2 - 53.

双级蜗轮蜗杆齿轮箱
平均注油量和重量

Double Worm Gear Units
Average Oil quantities an Weights

| 规格 Size | 第一级齿轮箱注油量 oil quantities of the primary gear stage [1] | | | | | | | | | | | | | 未加油时第一级齿轮箱和主齿轮箱的重量 Weights of primary and main gear stage without oil [kg] | |
|------------|--|-----|-----|-----|------|-----|-----|------|-----|-----|-----|------|-------|--|------|
| | 安装位置 / Mouting position | | | | | | | | | | | | | 类型 / Type | |
| | SU | | | SO | | | SR | | | SL | | | VO/VU | CD.W | CD.A |
| | a/b | c/d | e-h | a/b | c/d | e-h | a/b | c/d | e-h | a/b | c/d | e-h | a-h | | |
| 100 | 0.7 | 0.6 | 1 | 0.6 | 0.7 | 1 | 1 | 0.7 | 0.6 | 1 | 0.6 | 0.7 | 0.6 | 57 | 55 |
| 120 | | | | | | | | | | | | | | 80 | 77 |
| 140 | 1.6 | 1.2 | 2 | 1.2 | 1.6 | 2 | 2 | 1.6 | 1.2 | 2 | 1.2 | 1.6 | 1.1 | 115 | 110 |
| 160 | | | | | | | | | | | | | | 150 | 145 |
| 180 | 3 | 1.3 | 3.8 | 1.3 | 3 | 3.8 | 3.8 | 3 | 1.3 | 3.8 | 1.3 | 3 | 2 | 210 | 200 |
| 200 | | | | | | | | | | | | | | 260 | 250 |
| 225 | 5 | 2 | 6.5 | 2 | 5 | 6.5 | 6.5 | 5 | 2 | 6.5 | 2 | 5 | 3.5 | 350 | 330 |
| 250 | | | | | | | | | | | | | | 440 | 420 |
| 280 | 8 | 3 | 10 | 3 | 8 | 10 | 10 | 8 | 3 | 10 | 3 | 8 | 5.5 | 600 | 570 |
| 315 | 11.5 | 4.5 | 15 | 4.5 | 11.5 | 15 | 15 | 11.5 | 4.5 | 15 | 4.5 | 11.5 | 8 | 810 | 770 |
| 355 | 16 | 5.5 | 20 | 5.5 | 16 | 20 | 20 | 16 | 5.5 | 20 | 5.5 | 16 | 11 | 1180 | 1130 |
| 400 | 22 | 7.5 | 27 | 7.5 | 22 | 27 | 27 | 22 | 7.5 | 27 | 7.5 | 22 | 15 | 1600 | 1540 |
| 450 | 29 | 10 | 36 | 10 | 29 | 36 | 36 | 29 | 10 | 36 | 10 | 29 | 20 | 2240 | 2170 |
| 500 | 40 | 13 | 47 | 13 | 40 | 47 | 47 | 40 | 13 | 47 | 13 | 40 | 26 | 3040 | 2960 |
| 560 | 54 | 15 | 62 | 15 | 54 | 62 | 62 | 54 | 15 | 62 | 15 | 54 | 33 | 4170 | 4070 |
| 630 | 72 | 20 | 82 | 20 | 72 | 82 | 82 | 72 | 20 | 82 | 20 | 72 | 47 | 5630 | 5510 |